

**Fire Rated LI Low Energy 240 volt downlight**



**BS476 PART22**

**Part "C" Compliant.**  
Stops moisture & air flow through the luminaire.



**BS EN ISO 140-3: 1995 & BS EN ISO 140-6: 1998 (Acoustic rating) PART "E"**

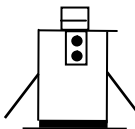
**PLEASE ENSURE THESE INSTRUCTIONS ARE READ THOROUGHLY BEFORE INSTALLATION AND A COPY IS AVAILABLE FOR FUTURE REFERENCE.**

**Important Information:**  
It is recommended that luminaires are installed and fitted by a qualified electrician ensuring the installation complies with the current IEE wiring regulations BS7671 1992.  
This product is designed for connection to a 240 volt supply.

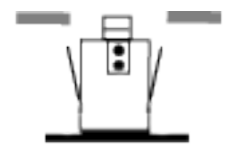
Always switch off the mains supply before servicing, fitting or replacing lamps.  
Ensure the lamp is correctly located in the lamp holder.  
Always check the lamp is correct for the application including its' wattage and voltage.  
Never exceed the maximum wattage.  
Special attention needs be paid to any installations with low ceiling voids.

**Installation Instructions:**  
Locate the areas suitable for installing the luminaires.  
Cut a suitable hole in the ceiling making sure the downlight fits the hole correctly and seals to the ceiling.  
If fitting with open floor leave fitted and wire from above.  
If fitting from below remove and wire as directed below. **(continued)**

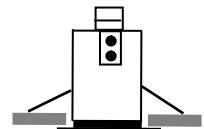
**Stage 1.** Read instructions and check you have all the tools and accessories to complete the installation correctly.



**Stage 2.** Cut a suitable hole in ceiling.

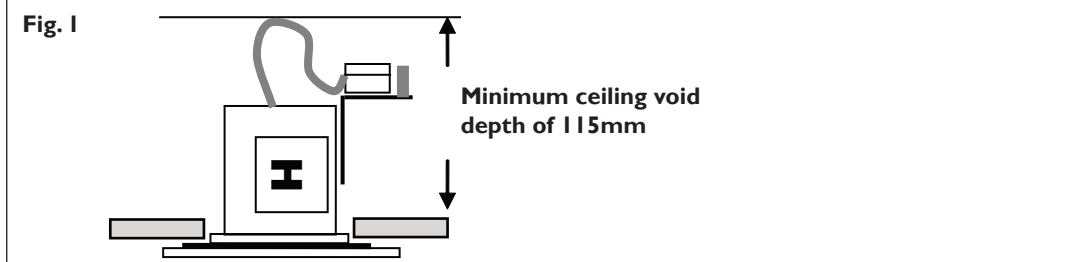


**Stage 3.** Press springs back and push luminaire body into aperture. Connect luminaire to a 240v supply.




**LUMINAIRE SUITABLE FOR 30 MINUTE AND 60 MINUTE FIRE RATED TIMBER CEILINGS AND SUSPENDED CEILINGS**

**Installation Instructions (continued)**  
Connect this product to a 240 volt supply.  
This appliance is Class II.  
  
Ensure there is free air flow around the fitting.  
There should be at least 0.5m distance between the front of the luminaire and the nearest illuminated surface.  
Do not install this product into new plaster or damp areas.  
Fit this product as illustrated in fig. 1.




**Hole size required: 62mm**


**Replace failed lamps immediately.**  
**Always allow the lamp and fitting to cool before replacing lamp.**  
**Lamp required: LI spot**  
**Max wattage: 11w**  
**Voltage 240v**



To meet 'Part C' of the building regulations, and provide sufficient air-tightness to avoid condensation forming in cold, unvented roof spaces, a seal is fitted in front of the bezel ring. This luminaire is suitable for installations where vapour permeable membranes are installed.

 This luminaire is suitable for mounting on a normally flammable surface (eg. wooden ceilings or a material based on wood).  
The maximum lamp rating is 11 watts - only LI low energy spot lamps can be used.

When your light comes to the end of its' life, or you have chosen to change it, please do not dispose of it with your normal household waste or by using a local amenity tip. When you buy a replacement fitting take this fitting to your retailer for them to recycle. Regulations (WEEE Directive effective July 2006) will oblige retailers and some recycling centres to take in waste from electrical equipment.



**tp24 Ltd Tel: 01354 695384 www.tp24.com**