

Installation and Safety Instructions

Outdoor Post Light Fitting

Safety Warnings

These instructions are for your safety. Please read through them thoroughly before use and retain them for future reference. If you are in any doubt about installing this product, consult a qualified electrician.

This product is only suitable for connection to a 220-240V~ 50Hz supply in accordance with current IEE wiring regulations, and should be installed in accordance with local building regulations.

This product is suitable for use outdoors but should not be immersed in water / sited in areas likely to be heavily splashed, either from above or below, or subjected to standing water.

The appliance must be supplied through a residual current device (RCD) having a rated residual operating current not exceeding 30mA.

This product is rated IP44(definition e.g. splash proof / rain proof etc). Ensure that the screws and cable entry points are sealed to maintain the IP rating of the product.

This is a Class I product and must be Earthed. The terminal blocks are supplied according to requirements of the fitting.

IMPORTANT: Always switch off the mains supply during installation or maintenance. We recommend that the fuse is withdrawn or the circuit breaker switched off at the distribution board whilst work is in progress (turning off the light switch is not sufficient). Connection should be via a wall switch to enable safe isolation.

The product must be securely fixed to the mounting surface using the screws and wall plugs supplied. The screws and wall plugs supplied are suitable for "masonry" only. Other fixings are not supplied and must be purchased.

Decide on the position of the light fitting or remove existing light fitting. Note the position of the electrical connections.

This product must only be installed to a solid, fixed surface, such as concrete, decking or paving slabs. It must NOT be installed on soil.

The mounting surface must be able to accommodate the weight / height of the fitting. If installing on an existing secure (concrete) base, use the holes in the post base as a template to drill suitable fixing holes and prepare with suitable ground fixing bolts (not supplied). The supply cable (**at least 250mm**) must come out of the mounting surface and directly into the terminal block in the base / post of the fitting.

Take care not to drill into any pipes or mains cables beneath the surface during mounting holes preparation. Never put anything on the product or hang anything on any part of this product.

IMPORTANT: Ensure that all electrical connections are tight and that no loose strands are left out of the terminal.

Never fit bulbs of a higher wattage than those specified on the label (as these may cause over heating and damage the fitting).

Waste electrical products should not be disposed of with household waste. Please recycle where facilities exist. Check with your Local Authority or local store for recycling advice.

Care and maintenance

For bulb replacement, switch off the product (preferably, isolate it at the distribution board) and allow it to cool down (Caution: bulb gets hot during use).

Clean with a dry cloth only. Do not use liquid or abrasive cleaners on this product.

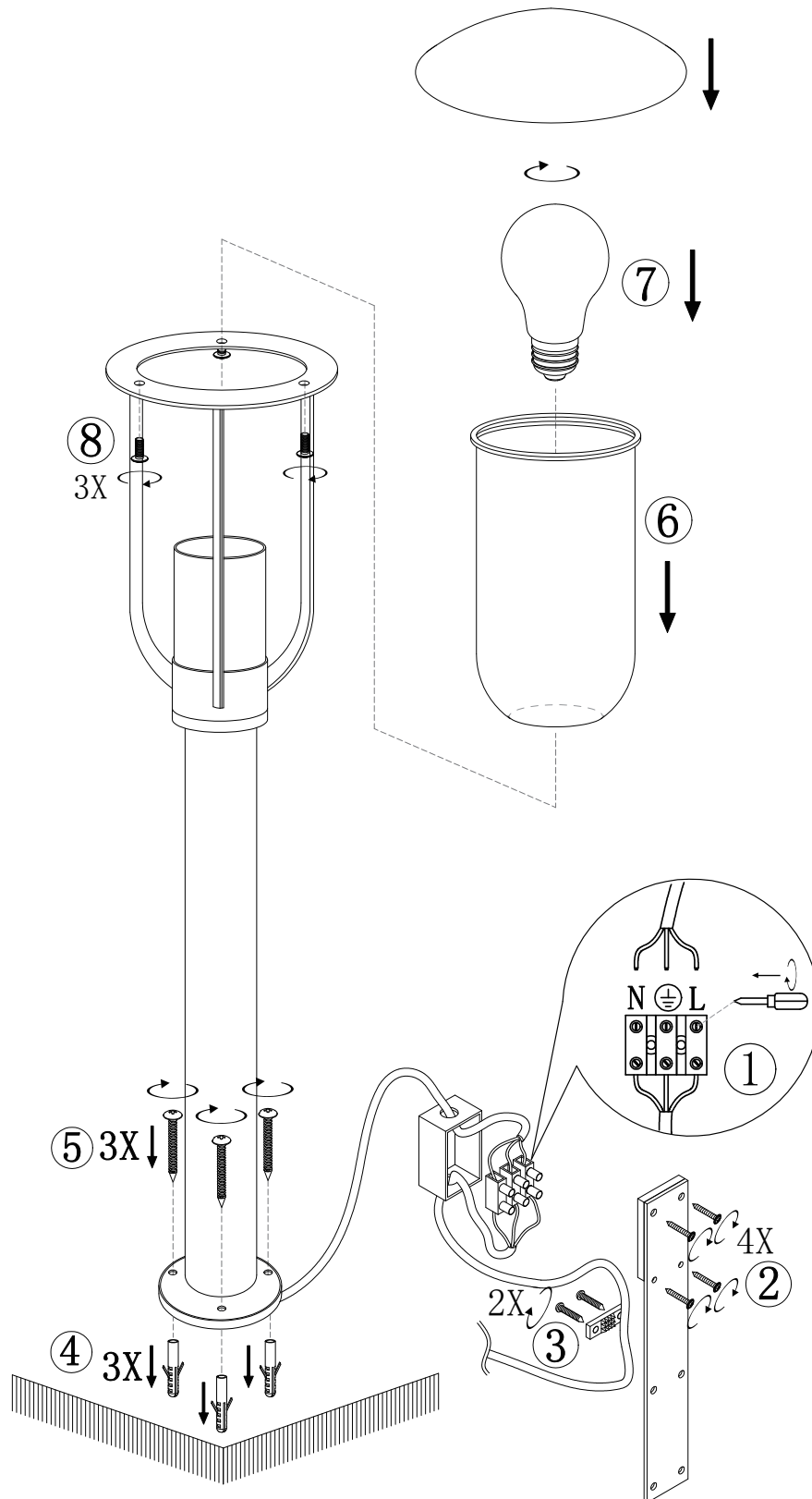
Troubleshooting

When the bulb does not light after installation:

- > Ensure there is no electricity failure.
- > Ensure all the connections are secure.

If you have any doubt about installation/use of this product, consult a qualified electrician.

Assembly Instructions



- Ⓔ Scan QR code for multi-language
- Ⓕ Scannez le code QR pour plusieurs langues
- Ⓖ Escanee el código QR para varios idiomas
- Ⓟ Zeskanuj kod QR dla wielu języków
- Ⓓ Scannen Sie den QR-Code nach mehreren Sprachen
- Ⓡ Scansiona il codice QR per multilingua