



High Bay Emergency Module  
Optional Gear



Optional Shades

## Echo III

### Echo III 100W LED Circular Suspended High Bay Luminaire with Emergency options

Echo III - Class I, IP65, IK10•High efficiency of up to 145lm/W•Dimmable via a wired 1-10v dimmer switch•Diecast aluminium body•Suspension installation•Surge protection•Long life of 40,000h•Instant start•Negligible UV output•Optional emergency module•Optional polycarbonate or aluminium shade

**ECH3100-W50 (Draft) (06876)**

## Specification

Voltage	100-240Vac 50/60Hz
Current (mA)	450
Rated Power (W)	100
CCT Words	Day Light
CCT (K)	5000
Total Luminous Flux (lm)	14500
Beam Angle(°)	90°
Nominal Lifetime (h)	40000
L70B50 Lifetime (h)	54000
L80B10 Lifetime (h)	54000
L90 Lifetime (h)	31000
Blue Light Hazard	RG1
Glow wire temperature(°C)	650
Power Factor	0.96
Dimensions L x W x D (mm)	164*φ259mm
Ambient Temperature Range (°C)	-20 to 40
Weight (kg)	2.6
In-rush current (peak/duration) (A)	80 A /300 us
Protection Rating	Class I
IK Rating	IK10
IP Rating	IP65
Emergency Luminous Flux (lm)	900

## Light Source Specification

Lighting Technology Used	LED
Directional / Non Directional (DLS/NDLS)	DLS
Light Source Cap Type (or other interface)	Wires
Mains / Non-Mains (MLS/NMLS)	NMLS
Connected Light source (Y/N)	N

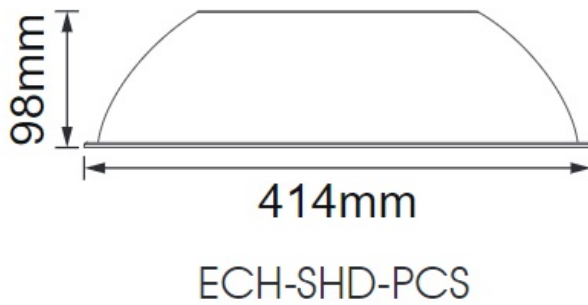
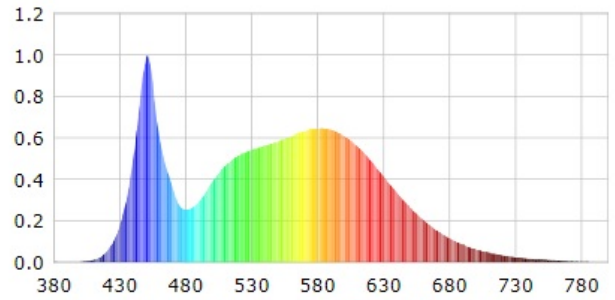
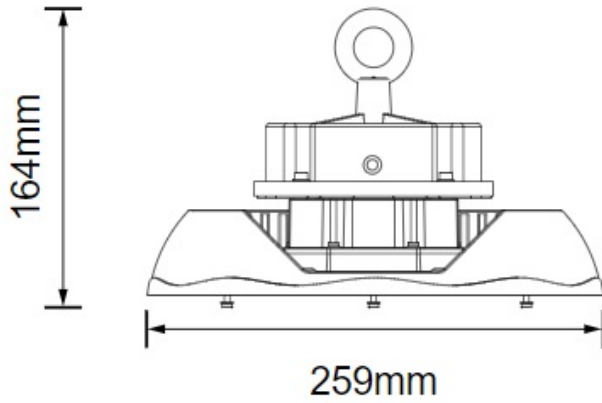
Colour Tunable Light Source (Y/N)	N
High Luminance Light Source (Y/N)	N
Anti-Glare Shield (Y/N)	N
Dimmable (Y/N/Specific dimmer)	N
Energy Consumption in on-mode (kWh/1000H)	94
Energy Efficiency Class	D
Useful Luminous Flux (lm)	12200
Beam Angle correspondence (in 360°/120°/90°)	in 120°
CCT	5000
On-Mode Power (Pon) (W)	94
Standby Power (Psb) (W)	0
Networked Standby Power (Pnet) (W)	N/A
CRI	82
CRI (min)	80
CRI (max)	84
Height (mm)	64
Width (mm)	259
Depth (mm)	259
Claim of Equivalent Power? (Y/N)	N
Equivalent Power (W)	N/A
Chromaticity Co-Ordinates (X)	0.344
Chromaticity Co-Ordinates (Y)	0.358
Peak Luminous Intensity (DLS) (cd)	7000
Beam Angle (DLS)	90
Beam Angle (min)(DLS)	85
Beam Angle (max) (DLS)	95
R9 CRI (LED/OLED)	-10
Survival Factor (x.xx)	0.9
Lumen Maintenance Factor (x.xx)	0.96
Displacement Factor	N/A

Colour Consistency in Mcadam Ellipses (Mains LED/OLED)	N/A
LED light source replaces flourescent withouth integrated ballast of particular wattage (Mains LED/OLED) (Y/N)	N/A
Replacement W Claim (Mains LED/OLED) (W)	N/A
Flicker metric (pst LM) (x,x)	N/A
Storboscopic effect metric (SVM) (x,x)	N/A
Light Source Supply	240Vdc 390mA

## Optional Gears and Accessories

Optional Gears 1	High Bay EME Module: EMHB08
Optional Gears 2	High Bay Self Test EME Module: EMHB08/ST
Accessories 1	PC Shade: ECH-SHD-PCS

## Technical Drawings



ECH-SHD-PCS