

Remote control
(included)



Angled bracket for easy installation

Ventas II

Ventas II 30W Floodlight, LED c/w Remote IP65, Switchable CCT

Kosnic Ventas II LED floodlights with PIR sensor option. Available in 10W, 20W, 30W and 50W with switchable colour temperature by remote control (included). The high-quality aluminium floodlights make ideal replacements for energy-hungry halogen lighting and are suitable for outdoor use offering high lumen efficiency and a long life

VEN30-SCT (05726)

Specification

| | |
|-------------------------------------|------------------------------------|
| Voltage | 220-240Vac 50/60Hz |
| Current (mA) | 132 |
| Rated Power (W) | 30 |
| CCT Words | Cool White (Warm White, Day Light) |
| CCT (K) | 4000 (3000, 6500) |
| Total Luminous Flux (lm) | 2800 (2340, 2340) |
| Beam Angle(°) | 105 |
| Nominal Lifetime (h) | 30000 |
| L70B50 Lifetime (h) | 36000 |
| L80B10 Lifetime (h) | 36000 |
| L90 Lifetime (h) | 25000 |
| Blue Light Hazard | RG1 |
| Glow wire temperature(°C) | 650 |
| Power Factor | 0.99 |
| Ambient Temperature Range (°C) | -20 to 40 |
| Weight (kg) | 0.65 |
| In-rush current (peak/duration) (A) | 0.18A/60us |
| Protection Rating | Class I |
| IK Rating | IK05 |
| IP Rating | IP65 |
| On-Site Warranty | None |

Light Source Specification

| | |
|--|-------|
| Lighting Technology Used | LED |
| Directional / Non Directional (DLS/NDLS) | DLS |
| Light Source Cap Type (or other interface) | Wires |
| Mains / Non-Mains (MLS/NMLS) | NMLS |
| Connected Light source (Y/N) | N |
| Colour Tunable Light Source (Y/N) | N |

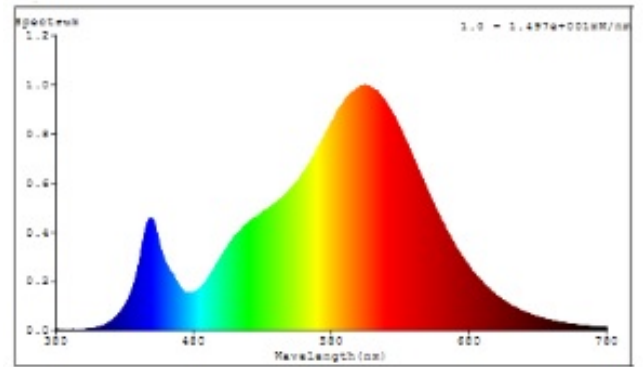
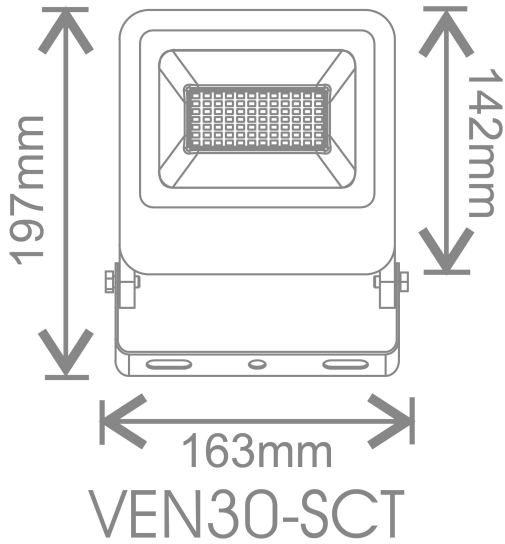
| | |
|---|---------------------|
| High Luminance Light Source (Y/N) | N |
| Anti-Glare Shield (Y/N) | N |
| Dimmable (Y/N/Specific dimmer) | Specific dimmer |
| Energy Consumption in on-mode (kWh/1000H) | 24 (22, 22) |
| Energy Efficiency Class | F |
| Useful Luminous Flux (lm) | 2200 (1800, 1800) |
| Beam Angle correspondence (in 360°/120°/90°) | in 120° |
| CCT | 4000 (3000, 6500) |
| On-Mode Power (Pon) (W) | 24 |
| Standby Power (Psb) (W) | 0 |
| Networked Standby Power (Pnet) (W) | N/A |
| CRI | 82 |
| CRI (min) | 80 |
| CRI (max) | 84 |
| Height (mm) | 148 |
| Width (mm) | 142 |
| Depth (mm) | 29 |
| Claim of Equivalent Power? (Y/N) | N |
| Equivalent Power (W) | N/A |
| Chromaticity Co-Ordinates (X) | 0.38 (0.44, 0.313) |
| Chromaticity Co-Ordinates (Y) | 0.38 (0.403, 0.337) |
| Peak Luminous Intensity (DLS) (cd) | 980 (840, 840) |
| Beam Angle (DLS) | 120 |
| Beam Angle (min)(DLS) | 115 |
| Beam Angle (max) (DLS) | 125 |
| Survival Factor (x.xx) | 0.9 |
| Lumen Maintenance Factor (x.xx) | 0.96 |
| Displacement Factor | N/A |
| Colour Consistency in Mcadam Ellipses (Mains LED/OLED) | N/A |
| LED light source replaces fluorescent without integrated ballast of particular wattage (Mains LED/OLED) (Y/N) | N/A |

| | |
|--|---------------------------------------|
| Replacement W Claim (Mains LED/OLED) (W) | N/A |
| Flicker metric (pst LM) (x,x) | N/A |
| Stroboscopic effect metric (SVM) (x,x) | N/A |
| Light Source Supply | 200Vdc 120mA for 4000k (200Vdc 110mA) |

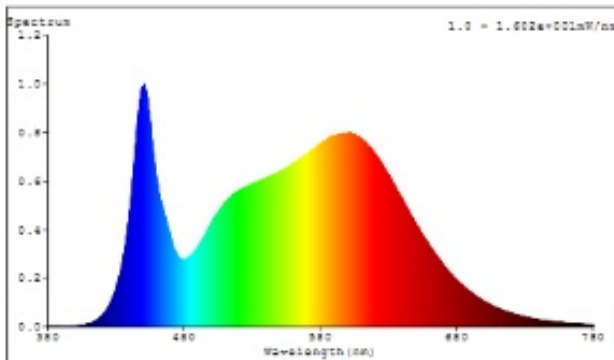
Optional Gears and Accessories

| | |
|------------------|---------|
| Optional Gears 1 | KCWP3IN |
|------------------|---------|

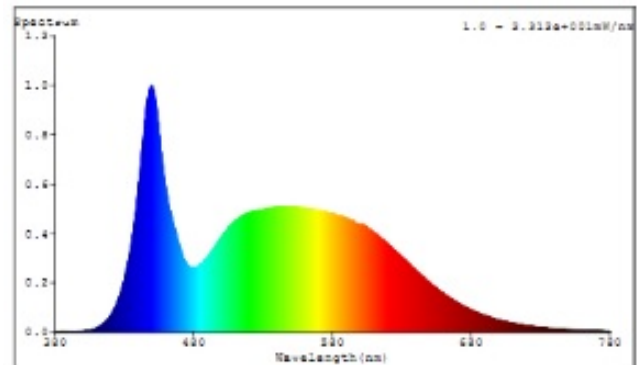
Technical Drawings



3000k



4000k



6500k