

## Ventas II

10W/20W/30W/50W LED Flood light, CCT switchable with remote control included and PIR sensor options.



### Overview

Kosnic Ventas II LED floodlights with PIR sensor option. Available in 10W, 20W, 30W and 50W with switchable colour temperature by remote control (included). The high-quality aluminium floodlights make ideal replacements for energy-hungry halogen lighting and are suitable for outdoor use offering high lumen efficiency and a long life.

### Features

- CCT switching (3000k,4000k or 6500k) and dimming with remote control included
- Diecast Aluminium body
- PIR Sensor Version available
- Class I
- IK05, IP65
- Surge Protection
- Slim Profile
- 1m of H05RN-F 3 x 1mm<sup>2</sup>
- Negligible UV output

Product Specifications

Product Code	VEN10-SCT	VEN20-SCT	VEN30-SCT	VEN50-SCT
ID	05722	05724	05726	05727
Voltage	220-240Vac 50/60Hz	220-240Vac 50/60Hz	220-240Vac 50/60Hz	220-240Vac 50/60Hz
Current (mA)	44	88	132	220
Rated Power (W)	10	20	30	50
CCT	3000k Warm White 4000k Cool White 6500k Day Light	3000k Warm White 4000k Cool White 6500k Day Light	3000k Warm White 4000k Cool White 6500k Day Light	3000k Warm White 4000k Cool White 6500k Day Light
Power Factor	0.99	0.99	0.99	0.99
Beam angle (°)	105	105	105	105
In-rush current (A)	0.06 / 60µs	0.12 / 60µs	0.18 / 60µs	0.30 / 60µs
Luminous Flux (lm)	590 (3000k) 660 (4000k) 590 (6500k)	1410 (3000k) 1680 (4000k) 1410 (6500k)	2340 (3000k) 2800 (4000k) 2340 (6500k)	3980 (3000k) 4980 (4000k) 3980 (6500k)
Nominal Lifetime (h)	30000	30000	30000	30000
Lifetime (L70B50) (h)	36000	36000	36000	36000
Lifetime (L80B10) (h)	36000	36000	36000	36000
Lifetime (L90) (h)	25000	25000	25000	25000
Blue Light Hazard	RG1	RG1	RG1	RG1
Glow Wire Temperature (°C)	650	650	650	650
Dimensions (LxWxD) (mm)	101 x 134 x 30	129 x 162 x 31	163 x 197 x 34	201 x 238 x 37
Weight (Kg)	0.32	0.46	0.65	1.04
Protection	Class I, IK05, IP65	Class I, IK05, IP65	Class I, IK05, IP65	Class I, IK05, IP65
Ambient Temperature (°C)	-20 to 40	-20 to 40	-20 to 40	-20 to 40

Light Source Specifications

Lighting Technology used	LED	LED	LED	LED
Directional / Non-Directional	DLS	DLS	NDLS	NDLS
Cap Type / interface	Wires	Wires	Wires	Wires
Mains / Non-Mains	NMLS	NMLS	NMLS	NMLS
Connected Light Source	N	N	N	N
Colour Tuneable Lightsource	N	N	N	N
High luminance light source	N	N	N	N
Anti-glare shield	N	N	N	N
Dimmable	Specific dimmer	Specific dimmer	Specific dimmer	Specific dimmer
Energy Consumption in on-mode (kWh/1000h)	8	15	24 (4000k), 22 (3000k, 6500k)	40 (4000k) 36 (3000k, 6500k)
Energy Efficiency Class	F (4000k) G (3000k, 6500k)	F	F	E (4000k) F (3000k, 6500k)
Useful Luminous Flux (lm)	560 (3000k) 560 (4000k) 560 (6500k)	1200 (3000k) 1300 (4000k) 1200 (6500k)	1800 (3000k) 2200 (4000k) 1800 (6500k)	4200 (3000k) 4900 (4000k) 4200 (6500k)
Beam Angle Correspondence (°)	120	120	120	360

CCT	3000k/4000k/6500k	3000k/4000k/6500k	3000k/4000k/6500k	3000k/4000k/6500k
On-mode power (Pon) (W)	8	15	24	40 (36, 36)
Standby Power (Psb) (W)	0	0	0	0
Networked standby power (Pnet) (CLS only)	N/A	N/A	N/A	N/A
CRI	82	82	82	82
Dimensions (LxWxD) (mm)	88 x 83 x 26	115 x 110 x 26	148 x 142 x 29	189 x 190 x 33
Claim of equivalent power	N	N	N	N
Equivalent power	N/A	N/A	N/A	N/A
Chromaticity Coordinates	0.440(x),0.403(y) (3000k) 0.380(x) 0.380(y) (4000k) 0.313(x),0.337(y) (6500k)	0.440(x),0.403(y) (3000k) 0.380(x) 0.380(y) (4000k) 0.313(x),0.337(y) (6500k)	0.440(x),0.403(y) (3000k) 0.380(x) 0.380(y) (4000k) 0.313(x),0.337(y) (6500k)	0.440(x),0.403(y) (3000k) 0.380(x) 0.380(y) (4000k) 0.313(x),0.337(y) (6500k)
Peak luminous intensity (DLS) (cd)	240 (3000k) 260 (4000k) 240 (6500k)	550 (3000k) 650 (4000k) 550 (6500k)	840 (3000k) 980 (4000k) 840 (6500k)	N/A
Beam angle (DLS)	120	120	120	N/A
R9 CRI value (LED/OLED)	0	0	0	0
Survival Factor	0.9	0.9	0.9	0.9
Lumen maintenance factor	0.96	0.96	0.96	0.96
Displacement factor (Mains LED/OLED)	N/A	N/A	N/A	N/A
Colour consistency in mcdam ellipses (Mains LED/OLED)	N/A	N/A	N/A	N/A
LED light source rep.a fluorescent light source without integrated ballast of a particular wattage (Mains LED/OLED)	N/A	N/A	N/A	N/A
Rep. W claim (Mains LED/OLED)	N/A	N/A	N/A	N/A
Flicker (pst LM) (Mains LED/OLED)	N/A	N/A	N/A	N/A
Stroboscopic effect metric (SVM)	N/A	N/A	N/A	N/A

Product Specifications

Product Code	VEN10-SCT/S	VEN20-SCT/S	VEN30-SCT/S	VEN50-SCT/S
ID	05723	05725	05728	05729
Voltage	220-240Vac 50/60Hz	220-240Vac 50/60Hz	220-240Vac 50/60Hz	220-240Vac 50/60Hz
Current (mA)	58	97	145	242
Rated Power (W)	10	20	30	50
CCT	3000k Warm White 4000k Cool White 6500k Day Light	3000k Warm White 4000k Cool White 6500k Day Light	3000k Warm White 4000k Cool White 6500k Day Light	3000k Warm White 4000k Cool White 6500k Day Light
Power Factor	0.75	0.90	0.90	0.90
Beam angle (°)	105	105	105	105
In-rush current (A)	0.06 / 60µs	0.12 / 60µs	0.18 / 60µs	0.30 / 60µs
Luminous Flux (lm)	590 (3000k) 660 (4000k) 590 (6500k)	1410 (3000k) 1680 (4000k) 1410 (6500k)	2340 (3000k) 2800 (4000k) 2340 (6500k)	3980 (3000k) 4980 (4000k) 3980 (6500k)
Nominal Lifetime (h)	30000	30000	30000	30000
Lifetime (L70B50) (h)	36000	36000	36000	36000
Lifetime (L80B10) (h)	36000	36000	36000	36000
Lifetime (L90) (h)	25000	25000	25000	25000
Blue Light Hazard	RG1	RG1	RG1	RG1
Glow Wire Temperature (°C)	650	650	650	650
Dimensions (LxWxD) (mm)	101 x 166 x 56	129 x 193 x 61	163 x 224 x 61	201 x 269 x 65
Weight (Kg)	0.39	0.53	0.72	1.11
Protection	Class I, IK05, IP65	Class I, IK05, IP65	Class I, IK05, IP65	Class I, IK05, IP65
Ambient Temperature (°C)	-20 to 40	-20 to 40	-20 to 40	-20 to 40

Light Source Specifications

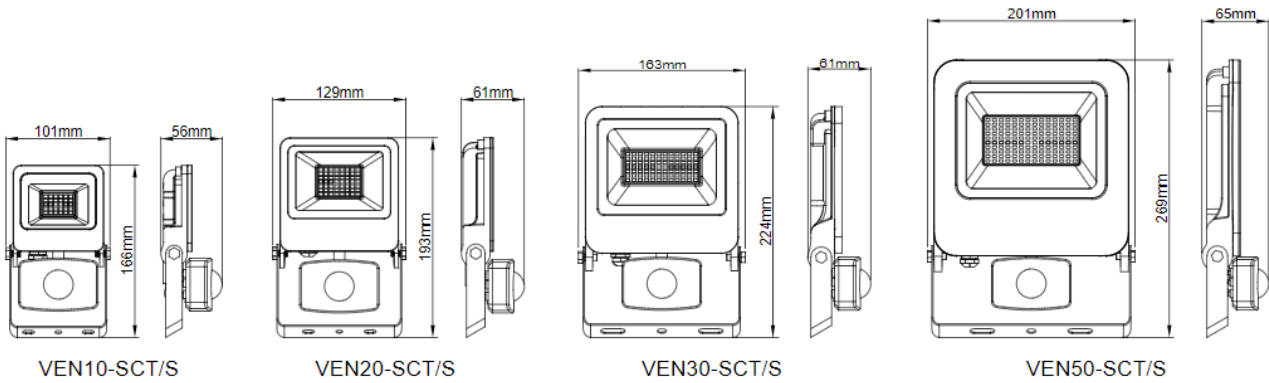
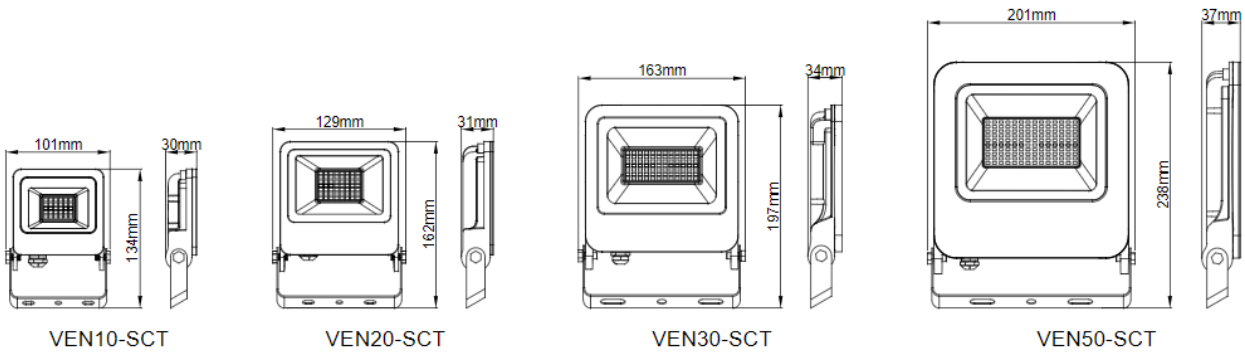
Lighting Technology used	LED	LED	LED	LED
Directional / Non-Directional	DLS	DLS	NDLS	NDLS
Cap Type / interface	Wires	Wires	Wires	Wires
Mains / Non-Mains	NMLS	NMLS	NMLS	NMLS
Connected Light Source	N	N	N	N
Colour Tuneable Lightsource	N	N	N	N
High luminance light source	N	N	N	N
Anti-glare shield	N	N	N	N
Dimmable	Specific dimmer	Specific dimmer	Specific dimmer	Specific dimmer
Energy Consumption in on-mode (kWh/1000h)	8	15	24 (4000k), 22 (3000k, 6500k)	40 (4000k) 36 (3000k, 6500k)
Energy Efficiency Class	F (4000k) G (3000k, 6500k)	F	F	E (4000k) F (3000k, 6500k)
Useful Luminous Flux (lm)	560 (3000k) 630 (4000k) 560 (6500k)	1200 (3000k) 1300 (4000k) 1200 (6500k)	1800 (3000k) 2200 (4000k) 1800 (6500k)	4200 (3000k) 4900 (4000k) 4200 (6500k)
Beam Angle Correspondence (°)	120	120	120	360
CCT	3000k/4000k/6500k	3000k/4000k/6500k	3000k/4000k/6500k	3000k/4000k/6500k

On-mode power (Pon) (W)	8	15	24	40 (36, 36)
Standby Power (Psb) (W)	0	0	0	0
Networked standby power (Pnet) (CLS only)	N/A	N/A	N/A	N/A
CRI	82	82	82	82
Dimensions (LxWxD) (mm)	88 x 83 x 26	115 x 110 x 26	148 x 142 x 29	189 x 190 x 33
Claim of equivalent power	N	N	N	N
Equivalent power	N/A	N/A	N/A	N/A
Chromaticity Coordinates	0.440(x),0.403(y) (3000k) 0.380(x) 0.380(y) (4000k) 0.313(x),0.337(y) (6500k)	0.440(x),0.403(y) (3000k) 0.380(x) 0.380(y) (4000k) 0.313(x),0.337(y) (6500k)	0.440(x),0.403(y) (3000k) 0.380(x) 0.380(y) (4000k) 0.313(x),0.337(y) (6500k)	0.440(x),0.403(y) (3000k) 0.380(x) 0.380(y) (4000k) 0.313(x),0.337(y) (6500k)
Peak luminous intensity (DLS) (cd)	240 (3000k) 260 (4000k) 240 (6500k)	240 (3000k) 260 (4000k) 240 (6500k)	840 (3000k) 980 (4000k) 840 (6500k)	N/A N/A N/A
Beam angle (DLS)	120	120	120	N/A
R9 CRI value (LED/OLED)	0	0	0	0
Survival Factor	0.9	0.9	0.9	0.9
Lumen maintenance factor	0.96	0.96	0.96	0.96
Displacement factor (Mains LED/OLED)	N/A	N/A	N/A	N/A
Colour consistency in mcdam ellipses (Mains LED/OLED)	N/A	N/A	N/A	N/A
LED light source rep.a fluorescent light source without integrated ballast of a particular wattage (Mains LED/OLED)	N/A	N/A	N/A	N/A
Rep. W claim (Mains LED/OLED)	N/A	N/A	N/A	N/A
Flicker (pst LM) (Mains LED/OLED)	N/A	N/A	N/A	N/A
Stroboscopic effect metric (SVM)	N/A	N/A	N/A	N/A

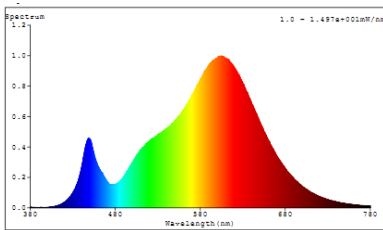
## Accessories

Description:	Order Code	Description
Connector	KCWP3IN	IP67 in-line Connector

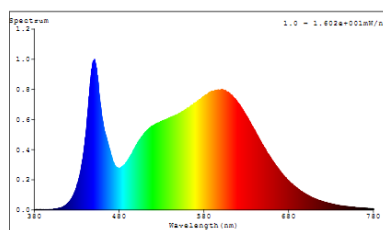
## Dimensions



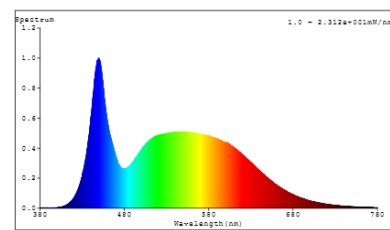
### Photometric Information



3000k



4000k



6500k