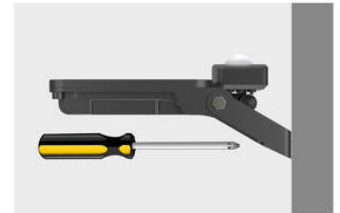




Remote control
(included)



Angled bracket for easy installation



OFF/ON within 3 seconds to
override the PIR sensor

Ventas II

Ventas II 10W Floodlight, LED c/w Remote & Sensor IP65, Switchable CCT

Kosnic Ventas II LED floodlights with PIR sensor option. Available in 10W, 20W, 30W and 50W with switchable colour temperature by remote control (included). The high-quality aluminium floodlights make ideal replacements for energy-hungry halogen lighting and are suitable for outdoor use offering high lumen efficiency and a long life

VEN10-SCT/S (05723)

Specification

Voltage	220-240Vac 50/60Hz
Current (mA)	58
Rated Power (W)	10
CCT Words	Cool White (Warm White, Day Light)
CCT (K)	4000 (3000, 6500)
Total Luminous Flux (lm)	660 (590, 590)
Beam Angle(°)	105
Nominal Lifetime (h)	30000
L70B50 Lifetime (h)	36000
L80B10 Lifetime (h)	36000
L90 Lifetime (h)	25000
Blue Light Hazard	RG1
Glow wire temperature(°C)	650
Power Factor	0.75
Ambient Temperature Range (°C)	-20 to 40
Weight (kg)	0.39
In-rush current (peak/duration) (A)	0.06A/60us
Protection Rating	Class I
IK Rating	IK05
IP Rating	IP65
On-Site Warranty	None

Light Source Specification

Lighting Technology Used	LED
Directional / Non Directional (DLS/NDLS)	DLS
Light Source Cap Type (or other interface)	Wires
Mains / Non-Mains (MLS/NMLS)	NMLS
Connected Light source (Y/N)	N
Colour Tunable Light Source (Y/N)	N

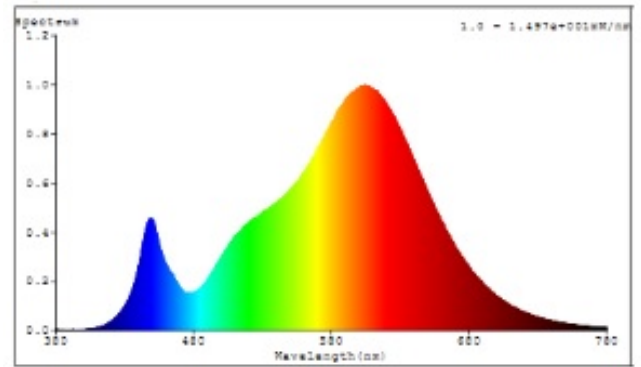
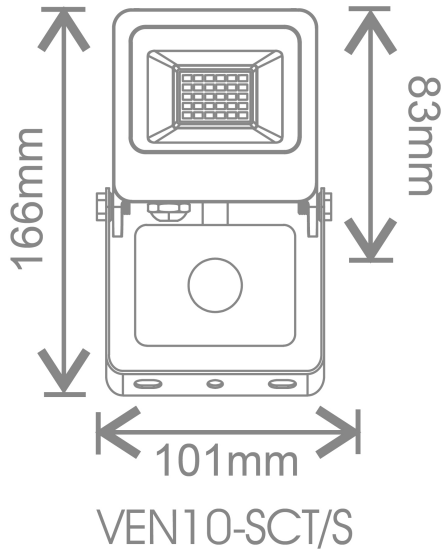
High Luminance Light Source (Y/N)	N
Anti-Glare Shield (Y/N)	N
Dimmable (Y/N/Specific dimmer)	Specific dimmer
Energy Consumption in on-mode (kWh/1000H)	8
Energy Efficiency Class	F (G, G)
Useful Luminous Flux (lm)	630 (560, 560)
Beam Angle correspondence (in 360°/120°/90°)	in 120°
CCT	4000 (3000, 6500)
On-Mode Power (Pon) (W)	8
Standby Power (Psb) (W)	0
Networked Standby Power (Pnet) (W)	N/A
CRI	82
CRI (min)	80
CRI (max)	84
Height (mm)	88
Width (mm)	83
Depth (mm)	26
Claim of Equivalent Power? (Y/N)	N
Equivalent Power (W)	N/A
Chromaticity Co-Ordinates (X)	0.38 (0.44, 0.313)
Chromaticity Co-Ordinates (Y)	0.38 (0.403, 0.337)
Peak Luminous Intensity (DLS) (cd)	260 (240, 240)
Beam Angle (DLS)	120
Beam Angle (min)(DLS)	115
Beam Angle (max) (DLS)	125
Survival Factor (x.xx)	0.9
Lumen Maintenance Factor (x.xx)	0.96
Displacement Factor	N/A
Colour Consistency in Mcadam Ellipses (Mains LED/OLED)	N/A
LED light source replaces fluorescent without integrated ballast of particular wattage (Mains LED/OLED) (Y/N)	N/A

Replacement W Claim (Mains LED/OLED) (W)	N/A
Flicker metric (pst LM) (x,x)	N/A
Stroboscopic effect metric (SVM) (x,x)	N/A
Light Source Supply	200Vdc 40mA

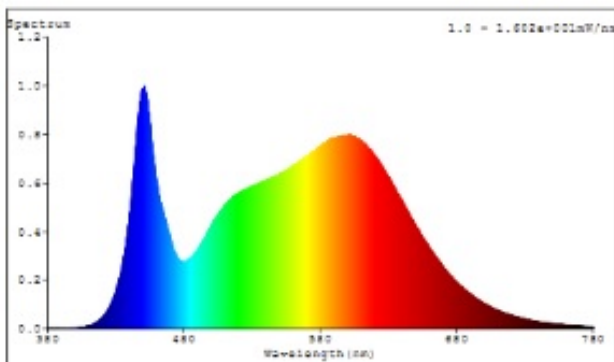
Optional Gears and Accessories

Optional Gears 1	KCWP3IN
------------------	---------

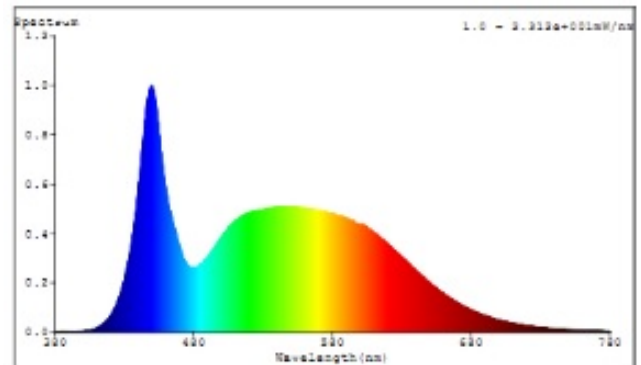
Technical Drawings



3000k



4000k



6500k