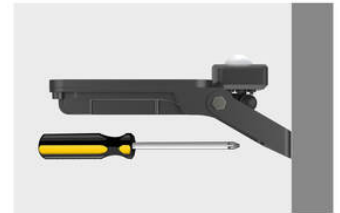




Remote control  
(included)



Angled bracket for easy installation



OFF/ON within 3 seconds to  
override the PIR sensor

## Ventas II

### Ventas II 50W Floodlight, LED c/w Remote & Sensor IP65, Switchable CCT

Kosnic Ventas II LED floodlights with PIR sensor option. Available in 10W, 20W, 30W and 50W with switchable colour temperature by remote control (included). The high-quality aluminium floodlights make ideal replacements for energy-hungry halogen lighting and are suitable for outdoor use offering high lumen efficiency and a long life

**VEN50-SCT/S (05729)**

## Specification

Voltage	220-240Vac 50/60Hz
Current (mA)	242
Rated Power (W)	50
CCT Words	Cool White (Warm White, Day Light)
CCT (K)	4000 (3000, 6500)
Total Luminous Flux (lm)	4980 (3980, 3980)
Beam Angle(°)	105
Nominal Lifetime (h)	30000
L70B50 Lifetime (h)	36000
L80B10 Lifetime (h)	36000
L90 Lifetime (h)	25000
Blue Light Hazard	RG1
Glow wire temperature(°C)	650
Power Factor	0.9
Ambient Temperature Range (°C)	-20 to 40
Weight (kg)	1.11
In-rush current (peak/duration) (A)	0.30A/60us
Protection Rating	Class I
IK Rating	IK05
IP Rating	IP65
On-Site Warranty	None

## Light Source Specification

Lighting Technology Used	LED
Directional / Non Directional (DLS/NDLS)	NDLS
Light Source Cap Type (or other interface)	Wires
Mains / Non-Mains (MLS/NMLS)	NMLS
Connected Light source (Y/N)	N
Colour Tunable Light Source (Y/N)	N

High Luminance Light Source (Y/N)	N
Anti-Glare Shield (Y/N)	N
Dimmable (Y/N/Specific dimmer)	Specific dimmer
Energy Consumption in on-mode (kWh/1000H)	40 (36, 36)
Energy Efficiency Class	E (F, F)
Useful Luminous Flux (lm)	4900 (4200, 4200)
Beam Angle correspondence (in 360°/120°/90°)	in 360°
CCT	4000 (3000, 6500)
On-Mode Power (Pon) (W)	40 (36, 36)
Standby Power (Psb) (W)	0
Networked Standby Power (Pnet) (W)	N/A
CRI	82
CRI (min)	80
CRI (max)	84
Height (mm)	189
Width (mm)	190
Depth (mm)	33
Claim of Equivalent Power? (Y/N)	N
Equivalent Power (W)	N/A
Chromaticity Co-Ordinates (X)	0.38 (0.44, 0.313)
Chromaticity Co-Ordinates (Y)	0.38 (0.403, 0.337)
Peak Luminous Intensity (DLS) (cd)	N/A
Beam Angle (DLS)	N/A
Beam Angle (min)(DLS)	N/A
Beam Angle (max) (DLS)	N/A
Survival Factor (x.xx)	0.9
Lumen Maintenance Factor (x.xx)	0.96
Displacement Factor	N/A
Colour Consistency in Mcadam Ellipses (Mains LED/OLED)	N/A
LED light source replaces fluorescent without integrated ballast of particular wattage (Mains LED/OLED) (Y/N)	N/A

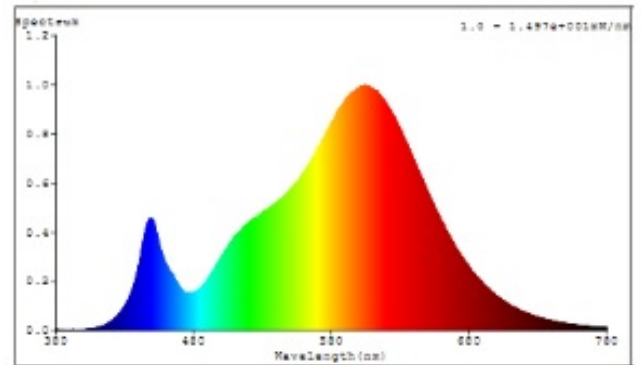
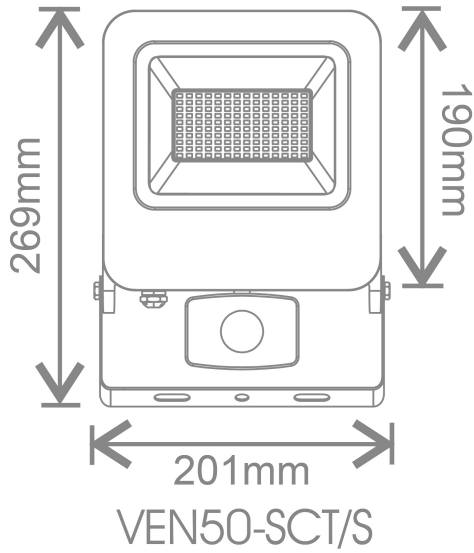
---

Replacement W Claim (Mains LED/OLED) (W)	N/A
Flicker metric (pst LM) (x,x)	N/A
Stroboscopic effect metric (SVM) (x,x)	N/A
Light Source Supply	200Vdc 220mA for 4000k (200Vdc 180mA)

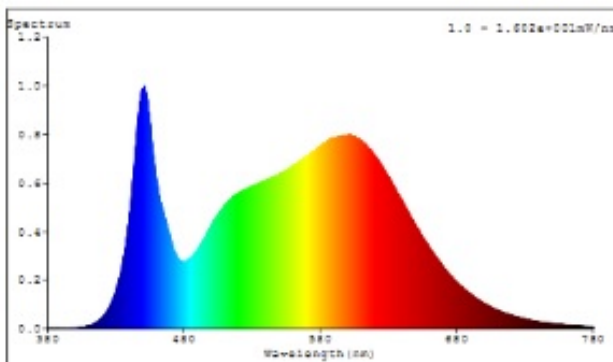
## Optional Gears and Accessories

Optional Gears 1	KCWP3IN
------------------	---------

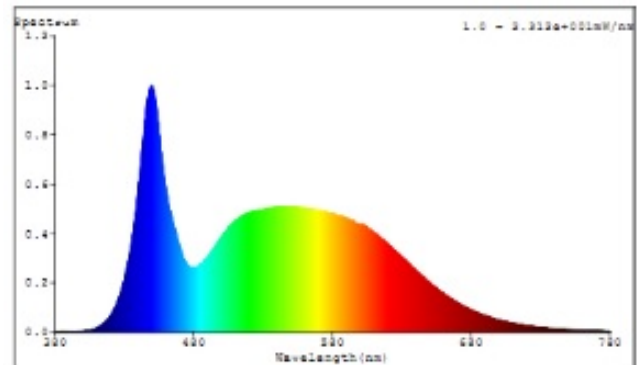
## Technical Drawings



3000k



4000k



6500k