

## Vermillion

### **Vermillion 600W High-power LED high mast floodlight, DAL12 & DMX, 5000k, Beam angle Asymmetric 50 (120 ° x 50 °)**

Modular construction allows each module to be angled independently with High efficiency of 160lm/W. DAL12 and DMX compatible driver included. IP66 and IK09, Multiple options for optics including asymmetric options. Programmable driver that can be set to required wattage. Flicker free.

**VER600-A50** (06852)

## Specification

Voltage	220-400Vac 50/60Hz
Current (mA)	2746
Rated Power (W)	600
CCT Words	Day Light
CCT (K)	5000
Total Luminous Flux (lm)	96000
Beam Angle(°)	Asymmetric 50 (120° x 50°)
Nominal Lifetime (h)	54000
L70B50 Lifetime (h)	108000
L80B10 Lifetime (h)	108000
L90 Lifetime (h)	63000
Blue Light Hazard	RG1
Glow wire temperature(°C)	650
SDCM of CCT	<6
Flicker %	<1%
Power Factor	0.95
Ambient Temperature Range (°C)	-30 to 50
Weight (kg)	14.5
In-rush current (peak/duration) (A)	28A/870us
Protection Rating	Class I
IK Rating	IK08
IP Rating	IP66
Driver Part Number	S6-600D520
Driver Input Voltage	220-415Vac 50/60Hz
Driver Maximum Input Current (mA)	3.2
Driver Maximum Power (W)	600
Driver Output Voltage (Vdc)	320-520
Driver Output Current (mA)	1.16-1.88

Driver Dimensions (L x W x D) (mm)	327x144x59
Driver Power Factor	0.95
Driver Ripple Current (%)	2%
Driver Maximum Case Temperature (°C)	90
Displacement Factor	N/A
High Luminance Light Source (Y/N)	N
Useful Luminous Flux (lm)	53600

## Light Source Specification

Lighting Technology Used	LED
Directional / Non Directional (DLS/NDLS)	DLS
Light Source Cap Type (or other interface)	Connector
Mains / Non-Mains (MLS/NMLS)	NMLS
Connected Light source (Y/N)	N
Colour Tunable Light Source (Y/N)	N
High Luminance Light Source (Y/N)	N
Anti-Glare Shield (Y/N)	N
Dimmable (Y/N/Specific dimmer)	N
Energy Consumption in on-mode (kWh/1000H)	570
Energy Efficiency Class	F
Useful Luminous Flux (lm)	53600
Beam Angle correspondence (in 360°/120°/90°)	in 90°
CCT	5000
On-Mode Power (Pon) (W)	570
Standby Power (Psb) (W)	0
Networked Standby Power (Pnet) (W)	N/A
CRI	82
CRI (min)	80
CRI (max)	84
Height (mm)	435
Width (mm)	610

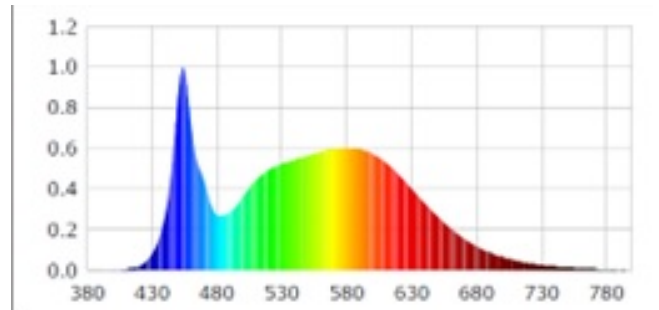
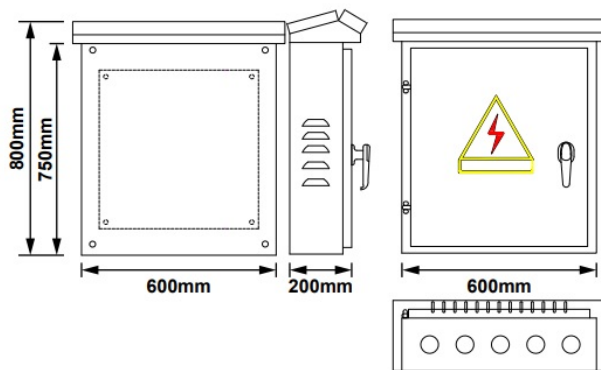
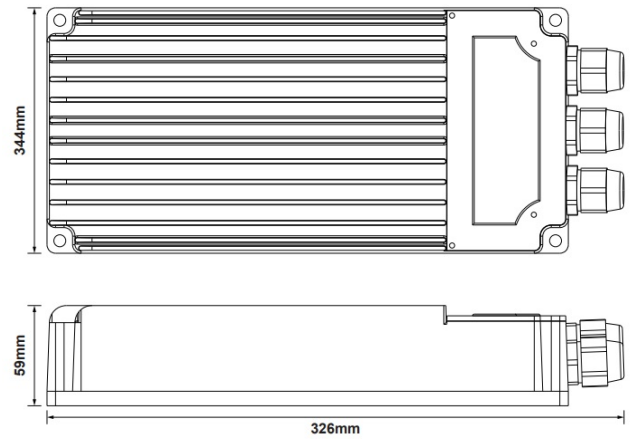
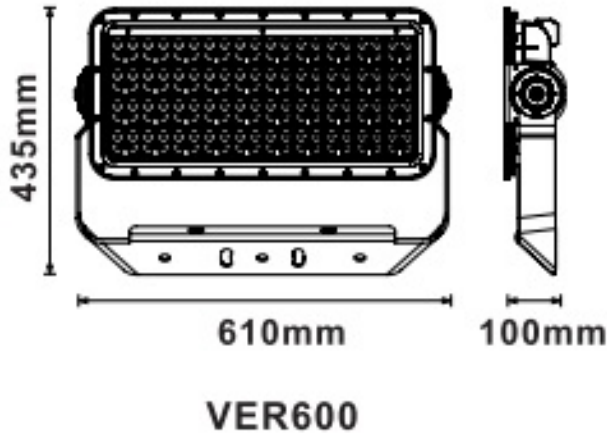
Depth (mm)	100
Claim of Equivalent Power? (Y/N)	N
Equivalent Power (W)	N/A
Chromaticity Co-Ordinates (X)	0.340
Chromaticity Co-Ordinates (Y)	0.367
Peak Luminous Intensity (DLS) (cd)	58000
Beam Angle (DLS)	50
Beam Angle (min)(DLS)	45
Beam Angle (max) (DLS)	55
Survival Factor (x.xx)	0.9
Lumen Maintenance Factor (x.xx)	0.96
Displacement Factor	N/A
Colour Consistency in Mcadam Ellipses (Mains LED/OLED)	N/A
LED light source replaces flourescent withouth integrated ballast of particular wattage (Mains LED/OLED) (Y/N)	N/A
Replacement W Claim (Mains LED/OLED) (W)	N/A
Flicker metric (pst LM) (x,x)	N/A
Storboscopic effect metric (SVM) (x,x)	N/A
Light Source Supply	375Vdc 1520mA

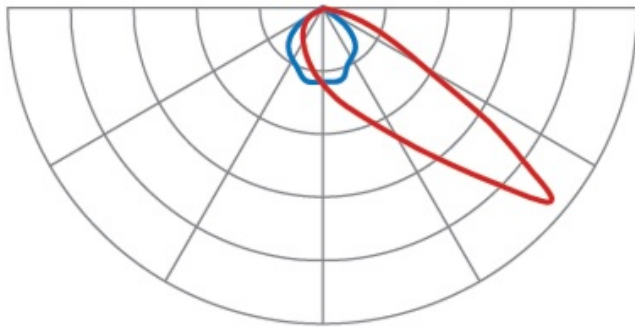
## Optional Gears and Accessories

Accessories 1

Outdoor Housing for LED drivers VER-BOX

## Technical Drawings





Asymmetric 50°