

# Bradley Solar LED Floodlight Spike with RC

Item ref: 42057

## User Manual

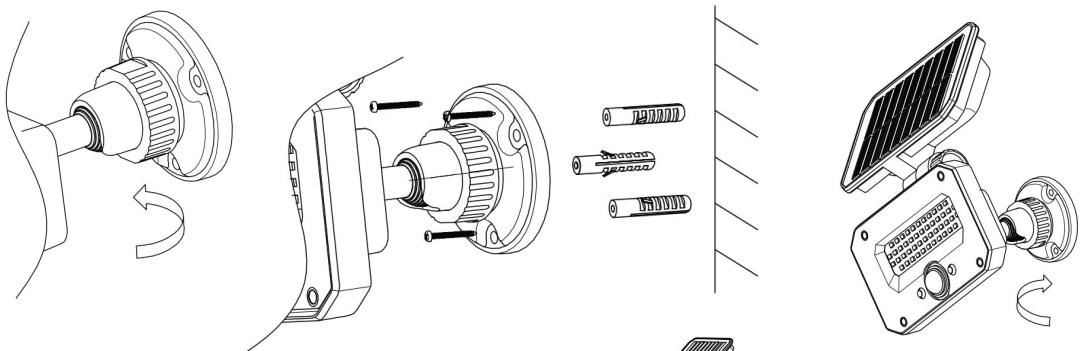


- Suitable for OUTDOOR USE ONLY - IP65 rated
- Easy to install, no wiring necessary
- Recharges batteries using solar energy
- Automatically charges in sunlight

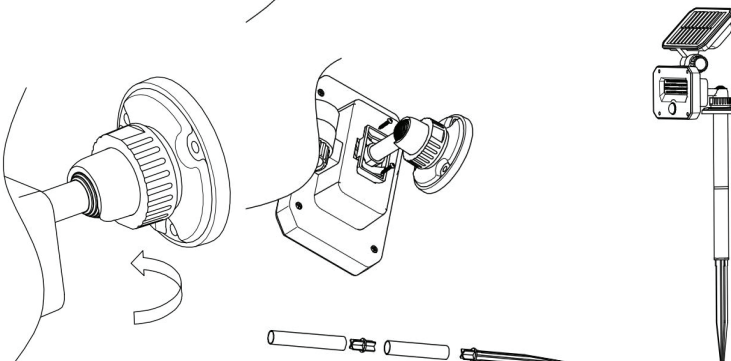
### Installation

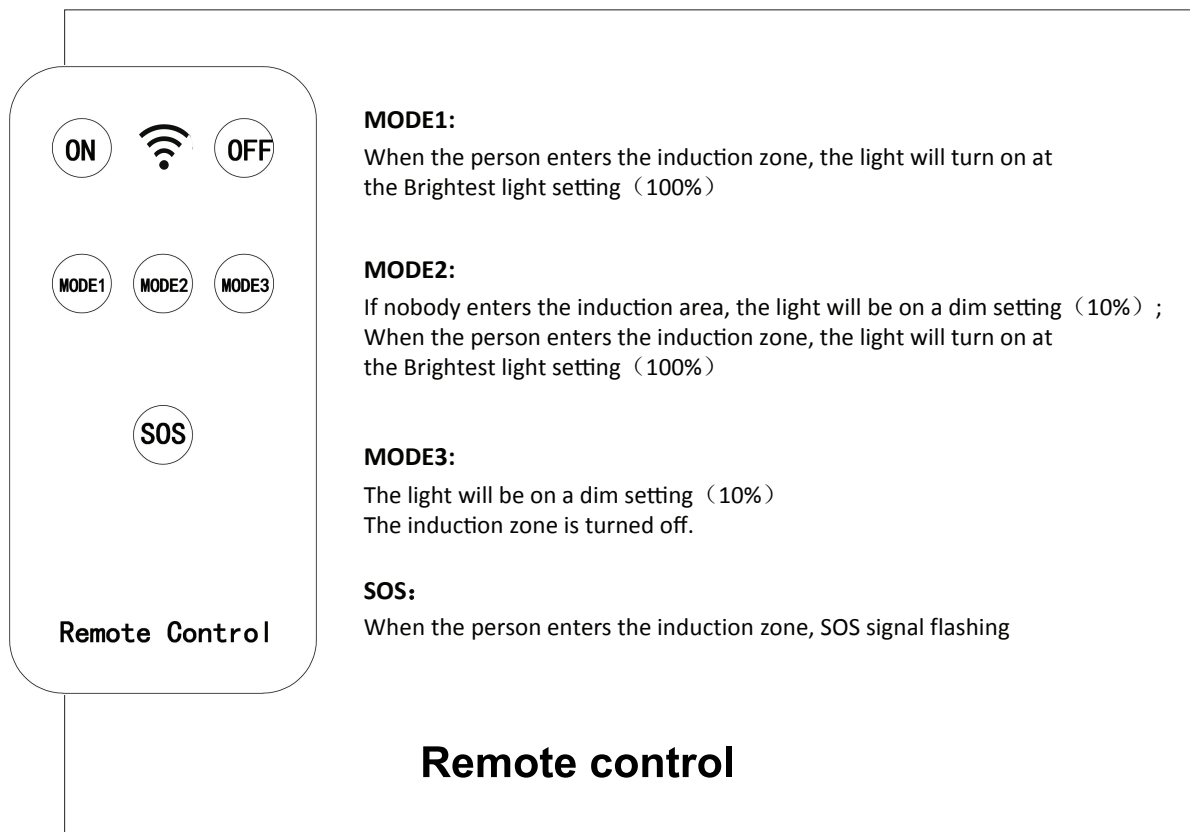
- When using for the first time, the solar light needs to charge in full sunlight for 10 to 12 hours. Allow the light to run at least 10 days, charging/discharging to reach the maximum battery capacity.
- Ensure the light is positioned in a bright sunny location where it will receive maximum sunlight. Ideally, in a position where it is free from cover and not in a shaded area. Lack of sunlight will affect charge times and operation.
- Avoid other light sources such as street lamps that may cause the solar lights to flicker on and off.
- Assembling the lamp:

#### Wall Mount:



#### Post Mount:





#### Warnings

- Suitable for OUTDOOR USE ONLY
- DO NOT expose this product to direct heat, flames or immerse in water.
- Keep out of reach of children and pets.
- The LED's are non-replaceable
- Please retain this information for future reference.

#### Cleaning

- If the solar panel gets dirty the charging capacity will be reduced. Clean panels occasionally with a soft damp cloth.

#### Troubleshooting

##### Night runtime is short

The battery is not fully charged. Install the solar light in an area where it can receive the maximum amount of direct sunlight.

##### Light does not turn on at night

The location is too close to other light sources. Relocate the light away from other light sources.

Made in China for ZINK, Gorse Mill, Gorse Street, Oldham, OL9 9RJ, U.K.

Helpline: 0333 005 0077, Mon-Fri, 9am-5pm.

UK MANUFACTURER / IMPORTER  
CASCADE HOLDINGS LTD.  
GORSE MILL  
GORSE STREET  
OLDHAM,  
UNITED KINGDOM  
OL9 9RJ



EU AUTHORISED REPRESENTATIVE:  
AUTHORISED REP COMPLIANCE  
GROUND FLOOR  
71 LOWER BAGGOT STREET  
DUBLIN  
IRELAND  
D02 P593



Disposal: The "Crossed Wheelie Bin" symbol on the product means that the product is classed as Electrical or Electronic equipment and should not be disposed with other household or commercial waste at the end of its useful life. The goods must be disposed of according to your local council guidelines.