

Orda II LED Emergency Twin-Spot

Standard or Self-test 3W LED IP65 Non-Maintained Twin-Spot Emergency Lighting



Overview

Kosnic's Orda II LED Emergency Twin-Spot is a self-contained, high-power, robust, non-maintained emergency lighting solution available as either standard or self-test versions. The Orda II LED Emergency Twin-Spot has two adjustable directional spotlights providing emergency illumination along exit routes for three hours during a power cut. Typical applications include warehouses, factories, industrial sites and long corridors.

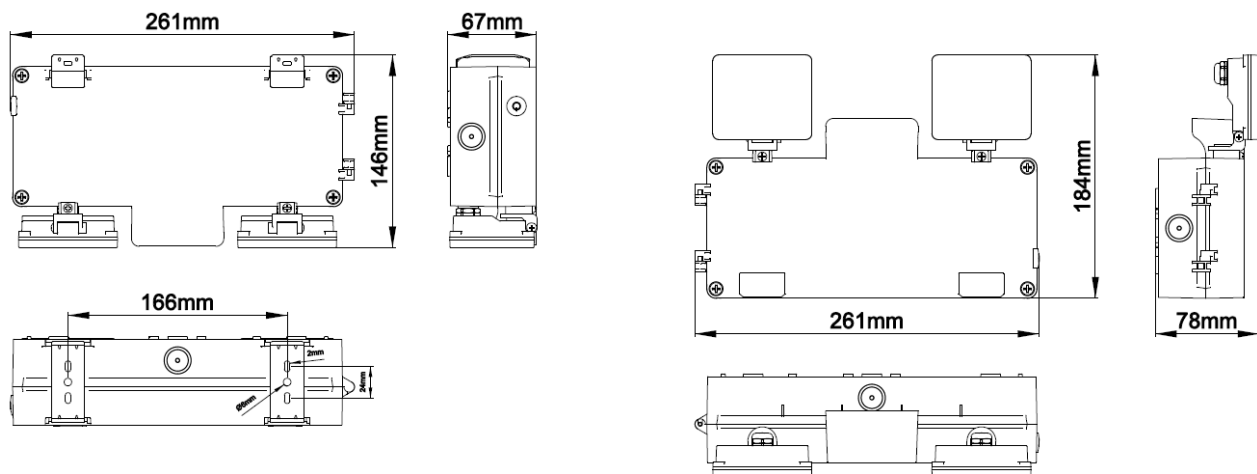
Features

- Standard or self-test (ATS Type S)
- Non-maintained operation
- Three hour rated duration
- Class II, IP65.
- Voltage change-over threshold according to EN 60598-2-22
- Status indicator LED
- Wall or ceiling mounting
- White or black polycarbonate
- Over-charge and deep discharge protection for battery
- Suitable for high risk task areas

Specifications

	Standard	Self-test
Order Code	ORD03-WHT (White) ORD03-BLK (Black)	ORD03/ST-WHT (White) ORD03/ST-BLK (Black)
Maximum Charging Power	3.5 W	3.5 W
Voltage	220-240 Vac 50/60 Hz	220-240 Vac 50/60 Hz
Maximum Charging Current	35 mA	35 mA
Output Wattage	3 W	3 W
Protection	Class II, IP65	Class II, IP65
Power Factor	0.50	0.50
Luminous Flux (Emergency)	370 lm (White) 330 lm (Black)	370 lm (White) 330 lm (Black)
Beam Angle	110 °	110 °
CRI	80	80
CCT	6500 K	6500 K
Lifetime	40,000 h	40,000 h
Warm-up time to 60%	Instant full light	Instant full light
LMF at Nominal Lifetime	0.75	0.75
Height x Width x Depth	261 x 184 x 78 mm (Wall mounting) 261 x 146 x 67 mm (Ceiling mounting)	261 x 184 x 78 mm (Wall mounting) 261 x 146 x 67 mm (Ceiling mounting)
Finishing	White or black polycarbonate	White or black polycarbonate
Mounting	Surface. Side or rear 20mm knock-out.	Surface. Side or rear 20mm knock-out.
Mercury	0 mg	0 mg
Ambient Temperature Range	0° to 40 °C	0° to 40 °C
Emergency Conversion Time	1 second	1 second
Emergency Operating Time	3 hours	3 hours
Battery Charging Time	24 hours	24 hours
Battery Life	4 years	4 years
Battery Type	LiFePO4	LiFePO4
Battery Capacity	2000 mAh	2000 mAh
Battery Voltage	6.4 V	6.4 V
Battery Code	BAT20LFP2-ORD	BAT20LFP2-ORD
Emergency Operation Test	Manual	Self-test (ATS Type S)

Dimensions



Ceiling Mounting

Wall Mounting