

Orda II LED Emergency Twin-Spot

Standard or Self-test 6W LED IP65 Twin-Spot Emergency Lighting



Overview

Kosnic's Orda II LED Emergency Twin-Spot is a self-contained, high-power, robust, maintained or non-maintained emergency lighting solution available as either standard or self-test versions. The Orda II LED Emergency Twin-Spot has two adjustable directional spotlights providing emergency illumination along exit routes for three hours during a power cut. Typical applications include warehouses, factories, industrial sites and long corridors.

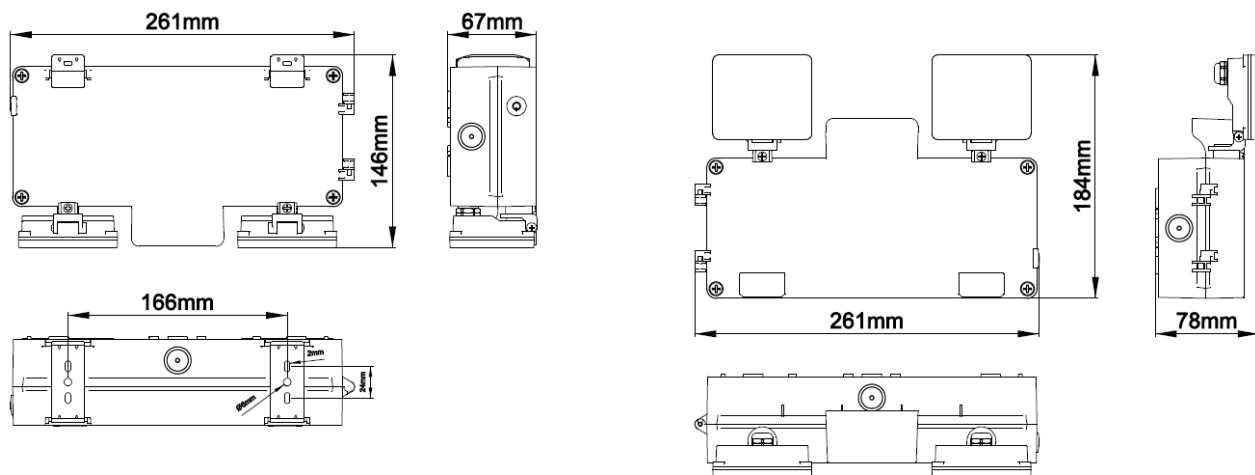
Features

- Standard or self-test (ATS Type S)
- Maintained or non-maintained operation
- Three hour rated duration
- Class II, IP65.
- Voltage change-over threshold according to EN 60598-2-22
- Status indicator LED
- Wall or ceiling mounting
- White or black polycarbonate
- Over-charge and deep discharge protection for battery
- Suitable for high risk task areas

Specifications

	Standard	Self-test
Order Code	ORD06-WHT (White) ORD06-BLK (Black)	ORD06/ST-WHT (White) ORD06/ST-BLK (Black)
Input Power (Max)	9 W	9 W
Emergency Output power	6 W	6 W
Voltage	220-240 Vac 50/60 Hz	220-240 Vac 50/60 Hz
Current	65 mA	65 mA
Protection	Class II, IP65	Class II, IP65
Power Factor	0.6	0.6
Luminous Flux (Emergency)	650 lm (White) 550 lm (Black)	650 lm (White) 550 lm (Black)
Beam Angle	110 °	110 °
CRI	80	80
CCT	6500 K	6500 K
Lifetime	40,000 h	40,000 h
Warm-up time to 60%	Instant full light	Instant full light
LMF at Nominal Lifetime	0.75	0.75
Height x Width x Depth	261 x 184 x 78 mm (Wall mounting) 261 x 146 x 67 mm (Ceiling mounting)	261 x 184 x 78 mm (Wall mounting) 261 x 146 x 67 mm (Ceiling mounting)
Finishing	White or black polycarbonate	White or black polycarbonate
Mounting	Surface. Side or rear 20mm knock-out.	Surface. Side or rear 20mm knock-out.
Mercury	0 mg	0 mg
Ambient Temperature Range	0° to 40 °C	0° to 40 °C
Emergency Conversion Time	1 second	1 second
Emergency Operating Time	3 hours	3 hours
Battery Charging Time	24 hours	24 hours
Battery Life	4 years	4 years
Battery Type	LiFePO4	LiFePO4
Battery Capacity	4000 mAh	4000 mAh
Battery Voltage	6.4 V	6.4 V
Battery Code	BAT20LFP4	BAT20LFP4
Emergency Operation Test	Manual	Self-test (ATS Type S)

Dimensions



Ceiling Mounting

Wall Mounting