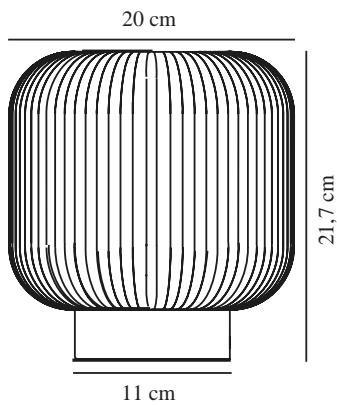


MILFORD | TABLE LAMP | BLACK

48965001

nordlux®



Voltage (V): 230 Volt
IP degree: IP20
Maximum bulb wattage (W): 40W
Class (Class 1, Class 2, Class 3):
Class 2 (Double isolated)
Socket type: E27
Dimmerable: Yes with compatible
bulb
Switch placement: On the cable

Colour: Black
Height (cm): 20
Shade Diameter (cm): 20
EAN: 5701581464285
TUN: 2042383
Item Number: 48965001

Pcs Per Master Carton: 3
Sales Box Height (cm): 22
Sales Box Width(cm): 25
Sales Box Depth (cm): 22
Sales Box Volume m³ : 0.0121
Product net weight (kg): 1.156

Primary material: Glass
Secondary material: Metal
Colour of the glass: Opal white
Colour of the cable: Black
Length of the cable (cm): 150
Surface material of the cable:
Textile
Is the cable replaceable: False

- Soft and natural style
- Opal mouth blown glass
- Provides a soft, diffused light

Milford is a decorative series, where the opal white glass lends a very particular expression to the series. The combination of the organic forms and the grooved, transparent surface creates elegance and illuminates the room with a soft and warm light.

The beautiful opening in the lampshade gives the Milford table lamp an extra dimension in the design, where the use of a decorative bulb makes the table lamp even more gorgeous.

www.nordlux.com

The glass in this lamp is mouth-blown and has been individually hand crafted. Due to this unique process, air bubbles may appear in the glass and the thickness of the glass can also vary. This gives the glass its character and vivid appearance.