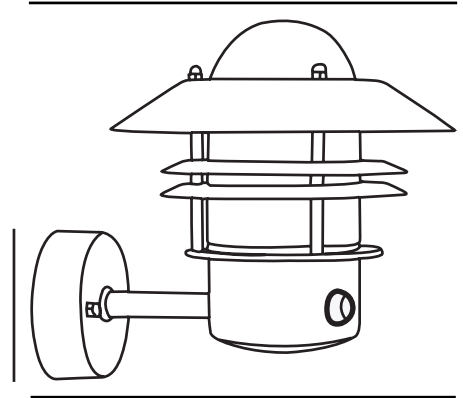


# BLOKHUS UP SENSOR | WALL LIGHT | BLACK

25031003

nordlux®



Voltage (V): 230 Volt  
IP degree: IP54  
Maximum bulb wattage (W): 60W  
Class (Class 1, Class 2, Class 3):  
Class 1 (Earth contact)  
Socket type: E27  
Parallel connection: True

Height (cm): 23  
Shade Diameter (cm): 22  
Projection (cm): 25  
EAN: 5701581219274  
TUN: 5383816  
Item Number: 25031003

Pcs Per Master Carton: 3  
Sales Box Height (cm): 22.5  
Sales Box Width(cm): 23  
Sales Box Depth (cm): 22  
Sales Box Volume m<sup>3</sup> : 0.0114  
Product net weight (kg): 1.405

Primary material: Metal  
Secondary material: Glass  
Colour of the glass: Clear  
Suitable for Seaside: False  
Colour: Black

• Built-in parallel connection • Built-in daylight and motion sensor

A classic light fixture from Nordlux, suitable for mounting in the driveway, at the entrance, on the terrace, or on the patio. This model is designed with an upward facing lampshade. The built-in sensor ensures that the light turns on automatically when it detects motion nearby. At the same time, it ensures that the light is not turned on unnecessarily.