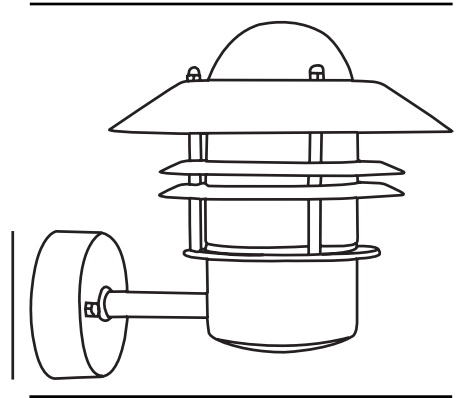


# BLOKHUS UP | WALL LIGHT | GALVANIZED

25011031

nordlux®



Voltage (V): 230 Volt  
IP degree: IP54  
Maximum bulb wattage (W): 60W  
Class (Class 1, Class 2, Class 3):  
Class 1 (Earth contact)  
Socket type: E27  
Parallel connection: True

Height (cm): 23  
Shade Diameter (cm): 22  
Projection (cm): 25  
EAN: 5701581116047  
TUN: 5061442  
Item Number: 25011031  
Pcs Per Master Carton: 3

Sales Box Height (cm): 22.5  
Sales Box Width(cm): 23  
Sales Box Depth (cm): 22  
Sales Box Volume m<sup>3</sup>: 0.0114  
Product net weight (kg): 1.24

Primary material: Galvanized steel  
Secondary material: Glass  
Colour of the glass: Clear  
Suitable for Seaside: True  
Colour: Galvanized

- Built-in parallel connection
- Durable material that is well-suited for harsh weather
- 15-year guarantee on extensive corrosion

A classic light fixture from Nordlux, suitable for mounting in the driveway, at the entrance, on the terrace, or on the patio. This model is designed with an upward facing lampshade.

The galvanized finish makes the light fixture resistant to the Nordic climate. We recommend light fixtures in galvanized steel for coastal areas.