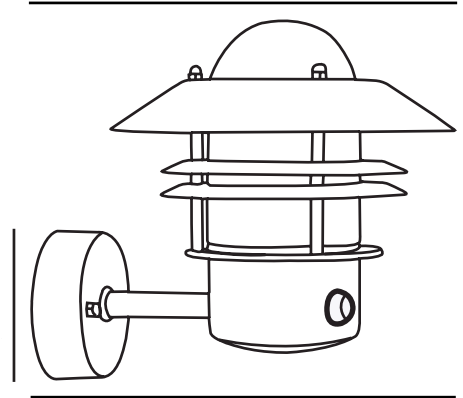
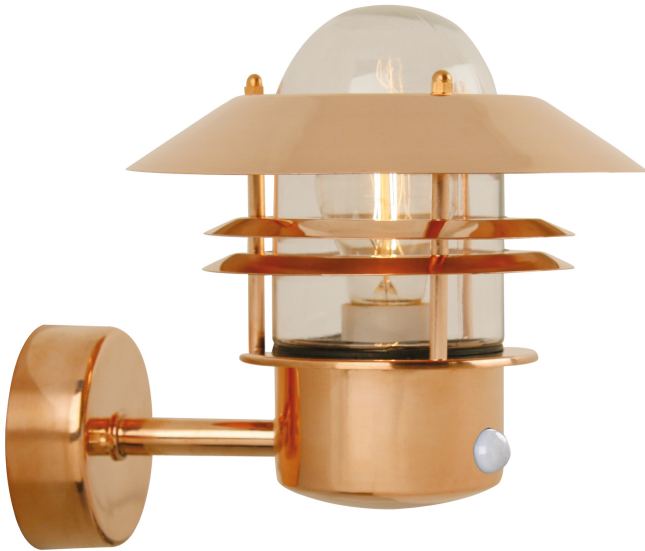


# BLOKHUS UP SENSOR | WALL LIGHT | COPPER

25031030

nordlux®



Voltage (V): 230 Volt  
IP degree: IP54  
Maximum bulb wattage (W): 60W  
Class (Class 1, Class 2, Class 3):  
Class 1 (Earth contact)  
Socket type: E27  
Parallel connection: True

Height (cm): 23  
Shade Diameter (cm): 22  
Projection (cm): 25  
EAN: 5701581118041  
TUN: 5061471  
Item Number: 25031030

Pcs Per Master Carton: 3  
Sales Box Height (cm): 30  
Sales Box Width(cm): 23  
Sales Box Depth (cm): 22  
Sales Box Volume m<sup>3</sup> : 0.0152  
Product net weight (kg): 1.405

Primary material: Copper  
Secondary material: Glass  
Colour of the glass: Clear  
Suitable for Seaside: True  
Colour: Copper

- Built-in parallel connection
- Built-in daylight and motion sensor
- Durable material that is well-suited for harsh weather
- 15-year guarantee on extensive corrosion

A classic light fixture from Nordlux, suitable for mounting in the driveway, at the entrance, on the terrace, or on the patio. This model is designed with an upward facing lampshade. The built-in sensor ensures that the light turns on automatically when it detects motion nearby. At the same time, it ensures that the light is not turned on unnecessarily.

We recommend light fixtures in copper for coastal areas.