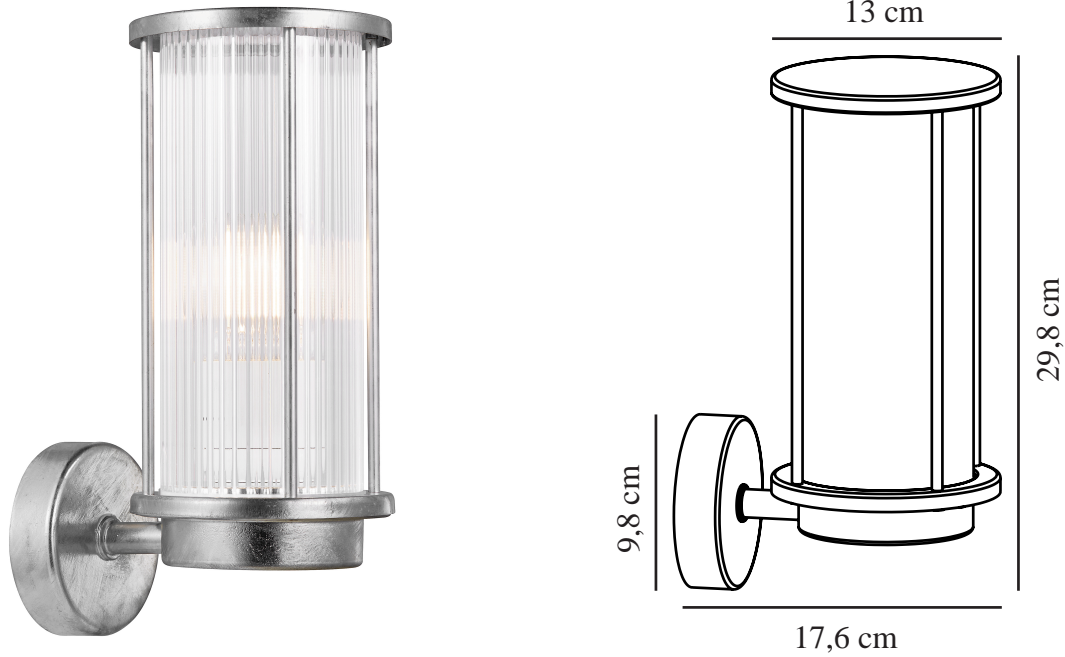


LINTON | WALL LIGHT | GALVANIZED

2218281031

nordlux®



Voltage (V): 220-240 Volt
IP degree: IP54
Maximum bulb wattage (W): 15W
Class (Class 1, Class 2, Class 3):
Class 1 (Earth contact)
Socket type: E27
Parallel connection: True

Primary material: Galvanized steel
Secondary material: Plastic
Suitable for Seaside: True
Colour: Galvanized

Height (cm): 29.8
Width (cm): 13
Shade Diameter (cm): 9.9
Outdoor base dimension (cm): 9,8
Projection (cm): 17.6

EAN: 5704924011030
TUN: 2276872

Item Number: 2218281031
Pcs Per Master Carton: 3

Sales Box Height (cm): 30.5
Sales Box Width(cm): 13.5
Sales Box Depth (cm): 18.5
Sales Box Volume m³ : 0.0076
Product net weight (kg): 1.03

- Ribbed diffuser creates a pleasant light • Durable material that is well-suited for harsh weather
- 15-year guarantee on extensive corrosion

The Linton series by Danish design duo Says Who is carried out in a round and elegant design with clear references to the classic lantern. It has a ribbed diffuser that ensures a pleasant, diffused light and a base made from galvanized steel that is well suited for harsh weather. The wall lamp creates the perfect ambience for your outdoor areas.