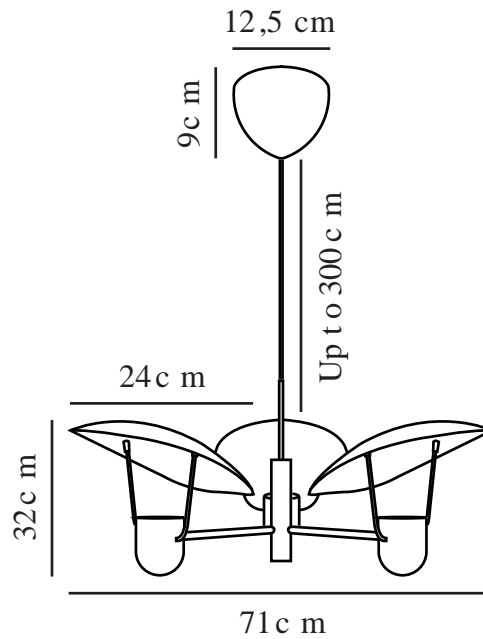
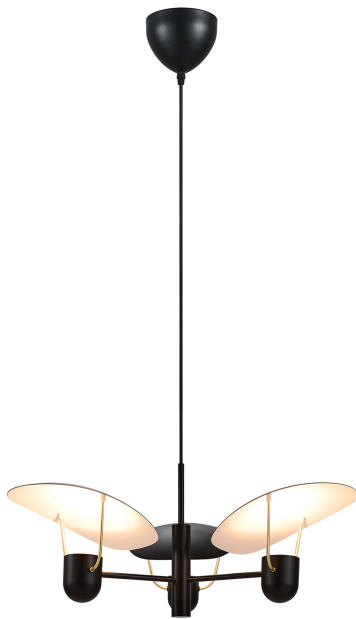


# FABIOLA | PENDANT | BLACK

2220223003



Voltage (V): 220-240 Volt  
IP degree: IP20  
Maximum bulb wattage (W): 40W  
Class (Class 1, Class 2, Class 3):  
Class 2 (Double isolated)  
Socket type: GU10

Height (cm): 32  
Width (cm): 71  
Tube Diameter (cm): 1.1  
Shade Diameter (cm): 27  
Length (cm): 24

Sales Box Height (cm): 36  
Sales Box Width (cm): 68  
Sales Box Depth (cm): 62  
Sales Box Volume m<sup>3</sup>: 0.1518  
Product net weight (kg): 2.64

Primary material: Metal  
Secondary material: Plastic  
Colour of the cable: Black  
Length of the cable (cm): 300  
Surface material of the cable:  
Textile  
Is the cable replaceable: False  
Colour: Black

EAN: 5704924009969  
Item Number: 2220223003  
Pcs Per Master Carton: 1

- Modern Italian style • Iconic and sculptural design language
- Soft, indirect light • Elegant brass details

The Fabiola pendant by Danish designer Charlotte Høncke draws inspiration from vintage Italian design and effortlessly unites past classics with present modernity. The design is elegant and sculptural, underlined by the placement of the three shades to ensure a soft, indirect light. Brass details add a luxurious look and feel.