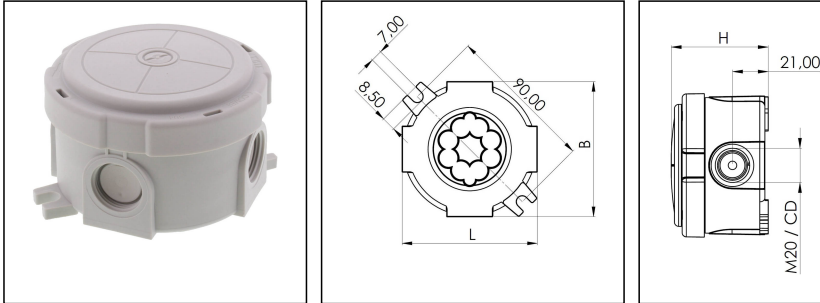


## COMBI 304/5 LG



Products may differ in size, colour and appearance to those shown. If you require further information or customisation, please contact us directly.



<b>Material</b>	Polypropylene
<b>Material sealing gasket</b>	TPE
<b>Temp. range min</b>	-30 °C
<b>Temp. range max</b>	100 °C
<b>Temperatures during install.</b>	-5 °C - 60 °C
<b>Protection class</b>	IP66 / IP67
<b>Glow wire test</b>	750 °C
<b>Voltage</b>	400 V
<b>Rated current / A (Terminal)</b>	32 A
<b>Rated cross section</b>	2,5 mm <sup>2</sup>
<b>Terminals/poles</b>	5-pole, 4,0 mm <sup>2</sup>
<b>Fixing</b>	2 external mounting feet
<b>Ø cable diameter min</b>	3 mm
<b>Ø cable diameter max</b>	12 mm
<b>External dimensions LxWxH</b>	Ø 82 x 57 mm
<b>Type of cable gland</b>	M 20 x 1,5
<b>Product Color</b>	RAL 7035
<b>WISKA-Order no.</b>	10110632
<b>Type</b>	COMBI 304/5 LG
<b>Packing unit</b>	5
<b>EAN number</b>	4007686257793
<b>Tariff number</b>	85369010
<b>ETIM-Classification</b>	EC002600

Remarks:

Your Contact:

**WISKA UK Ltd.**

Unit 7, Hurling Way · St. Columb Major Business Park · TR9 6SX, St. Columb Major, Cornwall · Great Britain

☎ +44-12-08816062 · 📠 +44-12-08816708

info@wiska.co.uk · www.wiska.co.uk

**IP66: using the membrane entry**

**IP67: using the threaded entry together with ESKV cable gland**

**Equipment:**

- 4 M20 threaded membrane entries
- inclusive terminal block 5-poles, 4mm<sup>2</sup>

25.04.2024

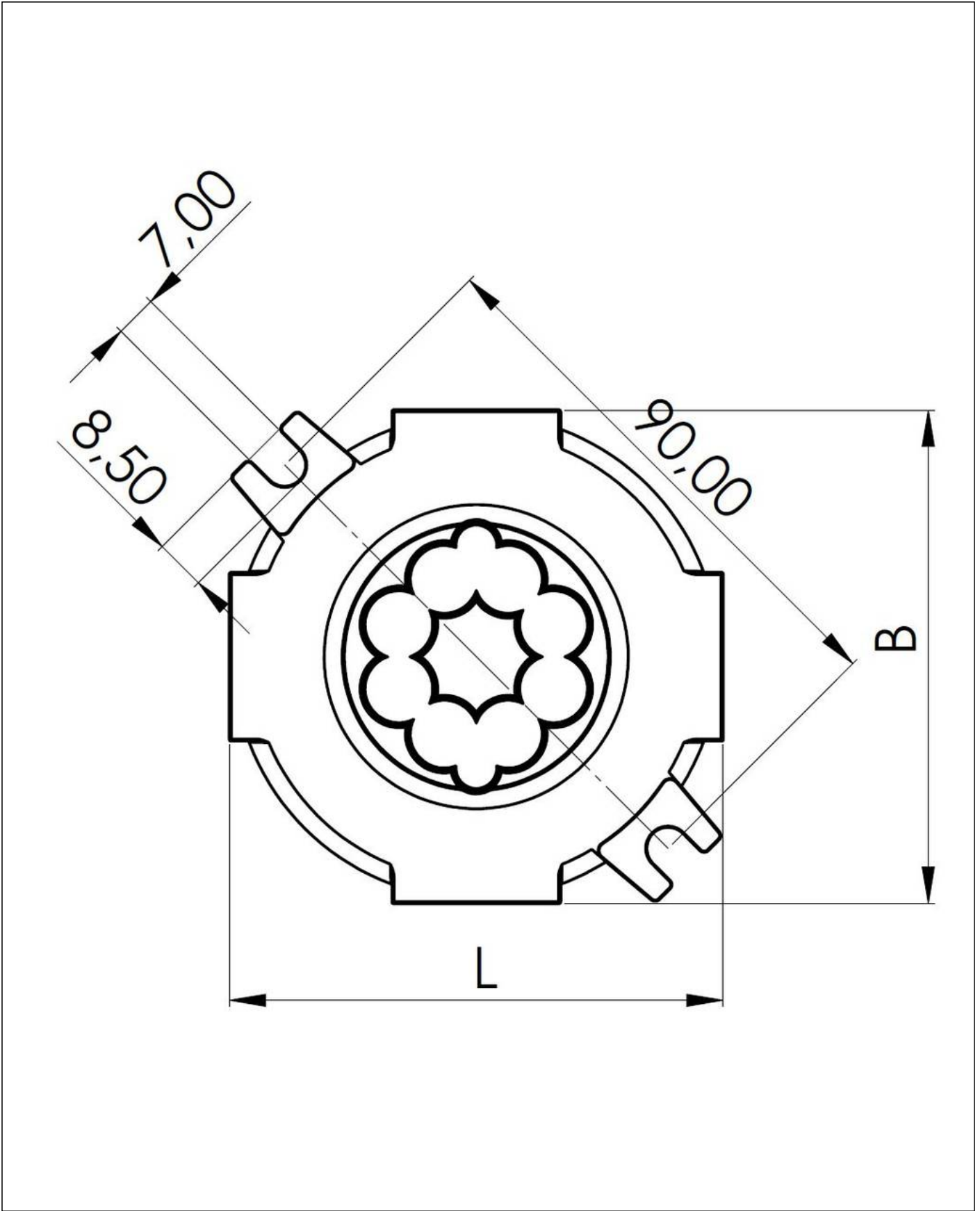
Your Contact:

**WISKA UK Ltd.**

Unit 7, Hurling Way · St. Columb Major Business Park · TR9 6SX, St. Columb Major, Cornwall · Great Britain

☎ +44-12-08816062 · 📠 +44-12-08816708

info@wiska.co.uk · www.wiska.co.uk



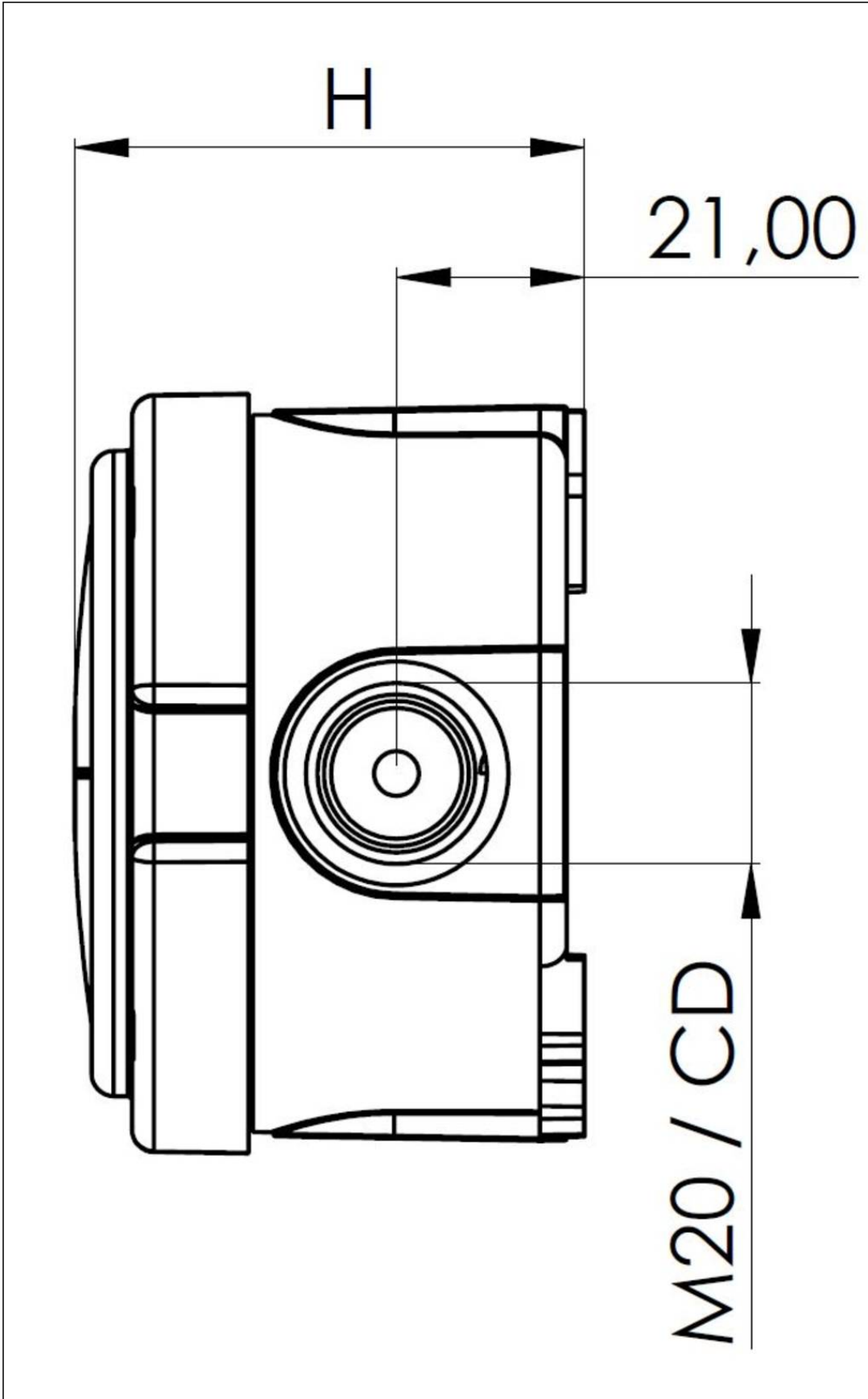
Your Contact:

**WISKA UK Ltd.**

Unit 7, Hurling Way · St. Columb Major Business Park · TR9 6SX, St. Columb Major, Cornwall · Great Britain

☎ +44-12-08816062 · 📠 +44-12-08816708

info@wiska.co.uk · www.wiska.co.uk



Your Contact:

**WISKA UK Ltd.**

Unit 7, Hurling Way · St. Columb Major Business Park · TR9 6SX, St. Columb Major, Cornwall · Great Britain

☎ +44-12-08816062 · 📠 +44-12-08816708

info@wiska.co.uk · www.wiska.co.uk