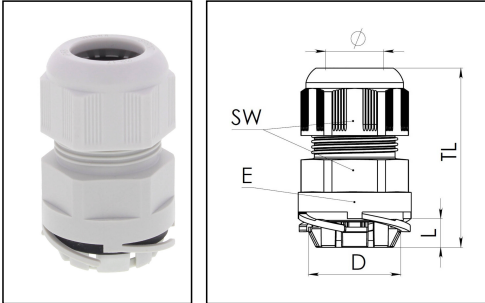


## ESKV-P 25 LG



Products may differ in size, colour and appearance to those shown. If you require further information or customisation, please contact us directly.



|                                 |                               |
|---------------------------------|-------------------------------|
| <b>Material</b>                 | Polyamide                     |
| <b>Material sealing gasket</b>  | on cable EPDM, on housing TPE |
| <b>Protection class</b>         | IP68 (5 bar 30 min), IP69     |
| <b>Temp. range min</b>          | -40 °C                        |
| <b>Temp. range max</b>          | 100 °C                        |
| <b>Glow wire test</b>           | 750 °C                        |
| <b>Ø Connection thread D</b>    | 25                            |
| <b>Length screw-in thread L</b> | 6 mm                          |
| <b>Ø cable diameter min</b>     | 9 mm                          |
| <b>Ø cable diameter max</b>     | 17 mm                         |
| <b>Key width SW</b>             | 29 mm                         |
| <b>Collar diameter (E)</b>      | 34 mm                         |
| <b>Total length TL</b>          | 45 mm - 60 mm                 |
| <b>Ø Drilling</b>               | 25 mm - 25,2 mm               |
| <b>Wall thickness S</b>         | 0,5 mm - 4 mm                 |
| <b>Product Color</b>            | RAL 7035                      |
| <b>Type</b>                     | ESKV-P 25 LG                  |
| <b>Order no. RAL 7035</b>       | 10111963                      |
| <b>Packing unit</b>             | 25                            |
| <b>EAN number</b>               | 4007686288384                 |
| <b>Tariff number</b>            | 39269097                      |
| <b>ETIM-Classification</b>      | EC000451                      |

Your Contact:

WISKA Hoppmann GmbH

Kisdorfer Weg 28 · 24568 Kaltenkirchen · Germany

☎ +49-4191-508-0 · 📠 +49-4191-508-209

contact@wiska.de · www.wiska.com

**Recommended accessories**

|               |          |
|---------------|----------|
| <b>RDE 25</b> | 10060768 |
| <b>BS 17</b>  | 10064012 |

16.05.2024

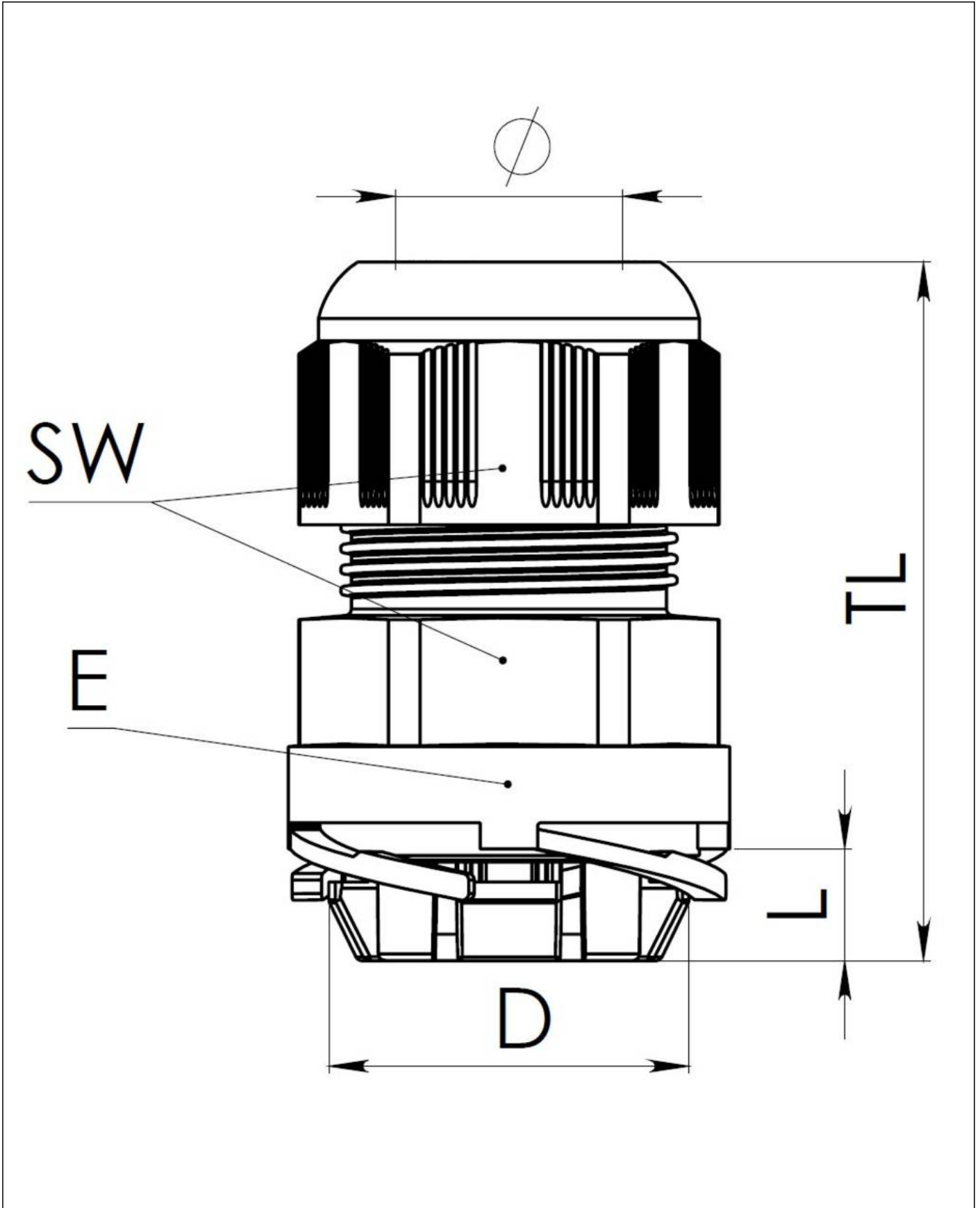
Your Contact:

**WISKA Hoppmann GmbH**

Kisdorfer Weg 28 · 24568 Kaltenkirchen · Germany

☎ +49-4191-508-0 · 📠 +49-4191-508-209

contact@wiska.de · www.wiska.com



Your Contact:  
**WISKA Hoppmann GmbH**  
Kisdorfer Weg 28 · 24568 Kaltenkirchen · Germany  
☎ +49-4191-508-0 · 📠 +49-4191-508-209  
contact@wiska.de · www.wiska.com

Other technical data on request / subject to change without notice